

GV-TBL4703 4MP H.265 Super Low Lux WDR IR Bullet IP Camera

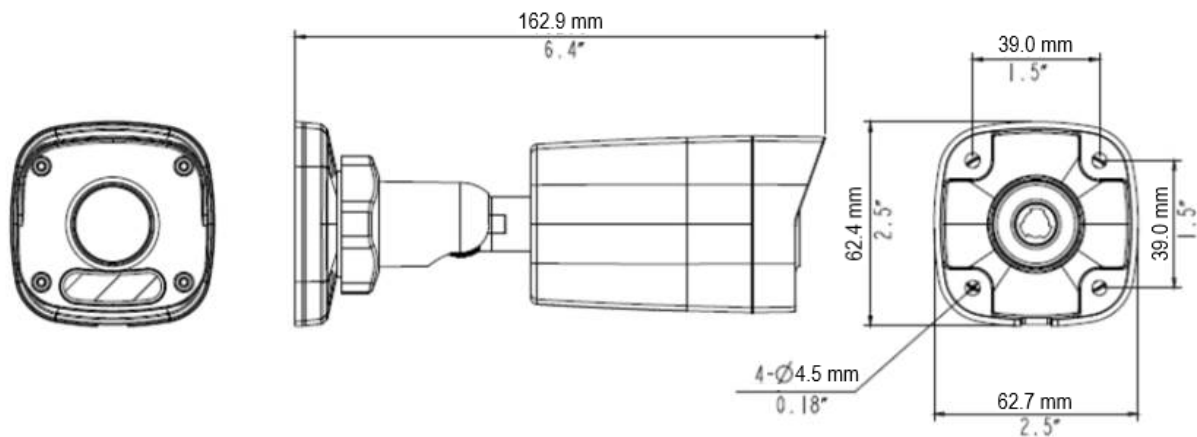


- 1/3" progressive scan super low lux CMOS sensor
- Min. illumination at 0.03 lux
- Triple streams from H.265, H.264 or MJPEG
- Up to 20 fps at 2592 x 1520
- Intelligent IR
- IR distance up to 30 m (100 ft)
- Day and night function (with removable IR-cut filter)
- Ingress protection (IP67)
- DC 12V / PoE (IEEE 802.3af)
- Wide Dynamic Range (WDR)
- Defog
- 3D noise reduction
- Motion detection
- Text overlay
- Privacy mask
- ONVIF (Profile S, T) conformant

Introduction

The Bullet IP Camera is an outdoor network camera equipped with an automatic IR-cut filter and an IR LED for day and night surveillance. The camera supports H.265 video codec to achieve better compression ratio while maintaining high quality pictures at reduced network bandwidths. It adheres to IP67 standards and can be powered through PoE.

Dimensions



Specifications

| Camera | | |
|----------------------|--|-------------------------|
| Image Sensor | 1/3" progressive scan super low lux CMOS | |
| Picture Elements | 2592 (H) x 1520 (V) | |
| Minimum Illumination | Color | 0.03 Lux (F2.0, AGC ON) |
| | IR ON | 0 Lux |
| Shutter Speed | Auto / Manual (1/6 ~ 1/100,000 sec) | |
| White Balance | Auto / Manual | |
| Gain Control | Auto / Manual | |
| S/N Ratio | 52 dB | |
| WDR | Yes | |
| Dynamic Range | Up to 72 dB | |

| Lens | | |
|-------------------------|----------------------------------|--|
| Megapixel | | 4 MP |
| Day / Night | | Yes (with removable IR-cut filter) |
| Lens Type | | Fixed |
| Focal Length | | 4 mm |
| Maximum Aperture | | F/2.0 |
| Mount | | M12 |
| Horizontal FOV | | 80° |
| Operation | Focus | Fixed |
| | Zoom | |
| | Iris | |
| IR LED Quantity | | 1 IR LED |
| Max. IR Distance | | 30 m (100 ft) |
| Operation | | |
| Video Compression | | H.265, H.264, MJPEG |
| Video Streaming | | Triple streams from H.265, H.264 or MJPEG |
| Video Resolution | Main Stream | 2592 x 1520 (Default), 2048 x 1520, 1920 x 1080 |
| | Sub Stream | 1280 x 720, 704 x 576, 704 x 288, 640 x 360 (Default), 352 x 288 |
| | Third Stream (Closed by Default) | 704 x 576, 704 x 288, 640 x 360, 352 x 288 |
| Frame Rate | | 20 fps at 2592 x 1520 (60 / 50 Hz) * The frame rate and performance may vary depending on the number of connections and data bitrates (different scenes). |
| Video Analytics | | Motion Detection, Tampering Alarm |
| Image Setting | | Brightness, Contrast, Saturation, Sharpness, Flicker-less, Image Orientation |
| Network | | |
| Interface | | 10/100 Ethernet |
| Protocol | | ARP, DHCP, DDNS, DNS, DynDNS, FTP, HTTP, HTTPS, ICMP, IGMP, IPv4, NTP, QoS, RTCP, RTP, RTSP, SMTP, TCP, UDP, UPnP, ONVIF (Profile S, T) |
| Mechanical | | |
| Temperature Detector | | No |
| Camera Angle Adjustment | Pan | 0° ~ 360° |
| | Tilt | 0° ~ 90° |
| | Rotate | 0° ~ 360° |
| Connectors | Power | DC Jack (DC 12 V, 1.25 A), PoE |
| | Ethernet | RJ-45 connector |
| General | | |
| Operating Temperature | | -30°C ~ 60°C (-22°F ~ 140°F) |
| Humidity | | 10% ~ 90% (no condensation) |
| Power Source | | 12 V DC / PoE (IEEE802.3af) |
| Max. Power Consumption | | 4 W |
| Dimensions | | 162.9 × 62.4 × 62.7 mm (6.4" × 2.5" × 2.5") |
| Weight | | 0.37 kg (0.81 lb) |
| Ingress Protection | | IP67 |
| Regulatory | | FCC, CE, RoHS compliant |
| Web Interface | | |
| Installation Management | | Web-based configuration |
| Maintenance | | Firmware upgrade through Web Browser or GV-IP Device Utility (V8.7.3.0) |
| Access from Web Browser | | Live View, Video Recording, Change Video Quality, Bandwidth Control, Image Snapshot, Defog, Text Overlay, Image Masking |
| Language | | Czech, English, French, German, Italian, Russian, Traditional Chinese |
| Applications | | |
| Software Supported | | GV-DVR / NVR (V8.8.0), GV-VMS (V17.3.0), GV-Control Center (V3.6.0), GV-Edge Recording Manager Windows version (V1.4.0), GV-Recording Server / Video Gateway (V1.4.2), GV-Redundant / Failover Server (V1.1.0.0) |
| Smart Device Access | | GV-Eye for iOS and Android |
| Live Viewing | | Browser (IE, Edge, Chrome, Firefox), Mobile App |




Note:

1. It is required to apply patch files to some or all of the supported software.
2. Do not use clothes or any ordinary material to clean the camera cover since they may result in scratches.
3. Specifications are subject to change without notice.

Packing List

- | | |
|-----------------------------------|--------------------------|
| 1. GV-TBL4703 IR Bullet IP Camera | 4. Drill Template Paster |
| 2. Waterproof Rubber Set | 5. Download Guide |
| 3. Screw Kit | 6. Warranty Card |

Accessories

| Model No. | Name | | Details |
|---------------|-----------------------------------|--|--|
| GV-Mount300-2 | Convex Corner Mount |  | Dimensions: 137 x 233 x 160 mm (5.4" x 9.17" x 6.3") Weight: 1.65 kg (3.64 lb) |
| GV-Mount310-2 | Concave Corner Mount |  | Dimensions: 111.2 x 369.9 x 210 mm (2.6" x 11.4" x 6.6") Weight: 1.65 kg (3.64 lb) |
| GV-Mount502 | Wall Mount Bracket |  | Dimensions: 93 x 93 x 39 mm (3.66" x 3.66" x 1.53") Weight: 0.235 kg (0.52 lb) |
| GV-PA191 | Power over Ethernet (PoE) Adapter |  | GV-PA191 is a Power over Ethernet (PoE) adapter designed to provide power to the IP device through a single Ethernet cable. |
| GV-POE Switch | | | GV-POE Switch is designed to provide power along with network connection for IP devices. GV-POE Switch is available in various models with different numbers and types of ports. |
| Power Adapter | | | Contact our sales representatives for the countries and areas supported. |