

1

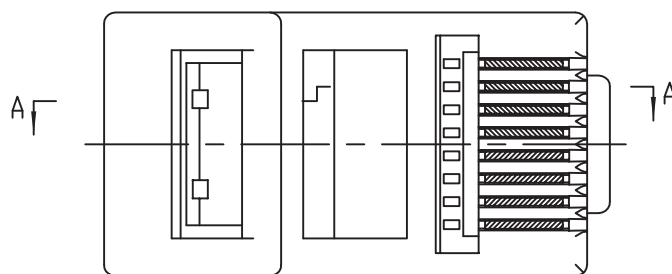
2

3

4

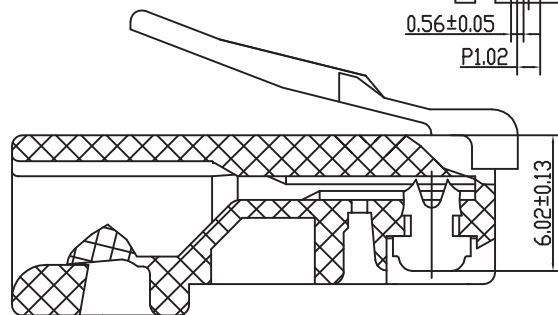
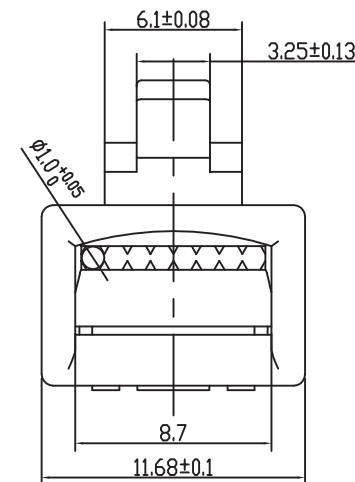
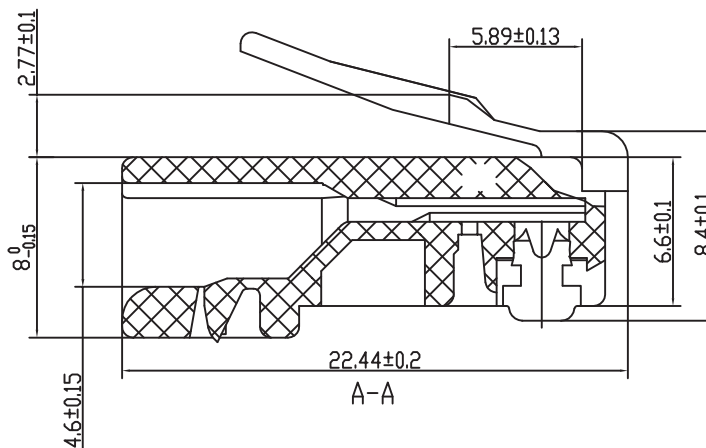
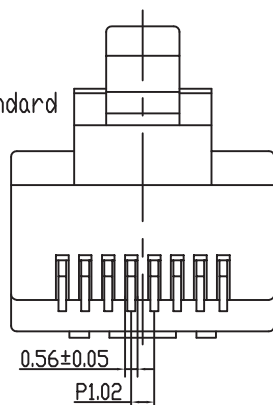
PART NO. LIST				
NO.	料号	镀金	材料	客户料号
1	10110188G048	Au 50u'	PC CLEAR UL94V-2	82-08271
2	10110188B059	Au 3u'	PC YELLOW 8166 UL94V-0	82-08265
3	10110188A154	Au G/F	PC BLUE 285C UL94V-0	82-08264
4	10110188A108	Au G/F半镀	PC CLEAR UL94V-2	82-08246
5	10110188D030	Au 15u'	PC CLEAR UL94V-2	82-08241
6	10110188C052	Au 6u'	PC YELLOW 8199 UL94V-2	82-08210
7	10110188B046	Au 3u'	PC CLEAR UL94V-2	82-08207防霉

REV.	ECN NO.	DATE
02		10.11.03



SPECIFICATION

1. Insulation Resistance: 1000 Megohms min;
2. Withstand Voltage: 1000V, AC/minute.
3. Durability: 750 mating circles min.
4. Product size conforms to the FCC standard



After Riveting

2	QWY-1209-1	BLADE	copper alloy T=0.35
1	H08120901	8P8C PLUG	SEE TABLE
NO.	DWG NO.	NAME	DESCRIPTION

RoHS Compliant

				SCALE: 1:1	UNIT: mm	CUSTOMER: MODEL NO:	TOLERANCES 0~15 ±0.15 15~30 ±0.2 30~ ±0.25 ANGLES: ±1°		MATERIAL: SEE TABLE	DESIGNED: xiaoyao	NAME: 8P8C-R	REV
FIRST ANGLE PROJECTION		SIZE		1:1	mm	MODEL NO:	FINISH: SEE TABLE	CHECKED:	DWG NO: K08022701	02		
SHEET 1 OF 1							APPROVED:	PART NO: SEE TABLE				

1

2

3

4