

Network Video Recorder

NVR201 Series



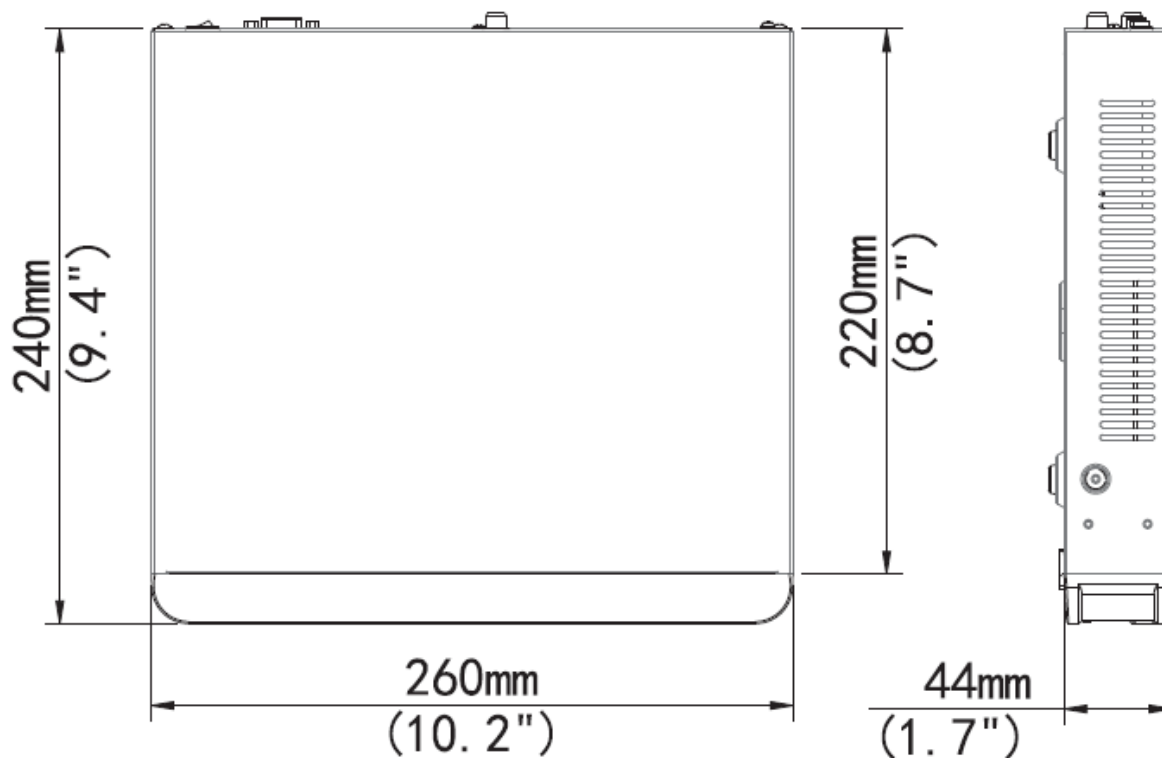
Key Features

- Support H.264 video formats
- Support AHD, TVI, CVI, CVBS, IP cameras with adaptive access
- 4/8-channel BNC input
- Up to 8MP resolution for recording
- Support 1-ch HDMI, 1-ch VGA output at up to 1920*1080P
- Long transmission distance over coax cable

Specifications

Model	NVR201-04U	NVR201-08Q
Video/Audio Input		
Analog Video Input	4-ch, BNC	8-ch, BNC
IP Video Input	2-ch (only IP up to 6ch)	2-ch (only IP up to 10ch)
Supported Analog Camera Types	Support AHD input: 5MP,4MP,3MP,1080P/25Hz, 1080P/30Hz,720P/25Hz, 720P/30Hz Support TVI/CVI input: 1080P/25Hz,1080P/30Hz, 720P/25Hz, 720P/30Hz Support CVBS input	Support AHD input: 3MP,1080P/25Hz, 1080P/30Hz,720P/25Hz, 720P/30Hz Support TVI/CVI input:1080P/25Hz, 1080P/30Hz, 720P/25Hz,720P/30Hz Support CVBS input
Audio Input	4-ch, RCA	
Two-way Audio Input	1-ch, RCA	
Network		
Incoming Bandwidth	60Mbps	
Outgoing Bandwidth	64Mbps	
Remote Users	128	
Protocols	TCP/IP, P2P, UPnP, NTP, DHCP, PPPoE	
Video/Audio Output		
CVBS Output	/	1-ch, BNC
HDMI/VGA Output	1920x1080p/60Hz, 1920x1080p/50Hz, 1600x1200/60Hz, 1280x1024/60Hz, 1280x720/60Hz, 1024x768/60Hz	
Recording Resolution	8MP/5MP/ 4MP/3MP/1080p/720p/4CIF/CIF	
Frame Rate	Main stream: 5MP@10fps/4MP@15fps/3MP@16fps/ 1080p/720p/WD1/4CIF/CIF@25fps(P)/30fps(N) Sub stream: WD1/4CIF@12fps; CIF/QCIF@25fps(P)/30fps(N)	Main stream: 3MP@8fps(for all channels)/1080p @12fps/720p@25fps (P)/30fps(N)
Audio Output	1-ch, RCA	
Synchronous Playback	6-ch	10-ch
Decoding		
Decoding format	H.264	
Live View/ Playback	8MP/5MP/4MP/3MP/1080p/720p/4CIF/CIF	
Hard Disk		
SATA	1 SATA interface	
Capacity	Up to 8TB for each HDD	
External Interface		
Network Interface	1 RJ45 10M/100M self-adaptive Ethernet Interfaces	
Serial Interface	1 x RS485	
USB Interface	2 x USB2.0	
General		
Power Supply	12V DC Power Consumption: ≤ 10 W(without HDD)	
Working Environment	-10°C ~ + 55°C (+14°F ~ +131°F), Humidity ≤ 90% RH(non-condensing)	
Dimensions(W×D×H)	260mm × 240mm ×44mm (10.2" × 9.4" ×1.7")	
Weight (without HDD)	≤ 1.12 Kg (2.47 lb)	

Dimensions



Rear Panel

Zhejiang Uniview Technologies Co., Ltd.

Building No.10, Wanlun Science Park, Jiangling Road 88, Binjiang District, Hangzhou, Zhejiang, China

Email: overseasbusiness@uniview.com; globalsupport@uniview.com

<http://www.uniview.com>

©2017 Zhejiang Uniview Technologies Co.,Ltd. All rights reserved.

*Product specifications and availability are subject to change without notice.