

Long Faceplate Electric Strike

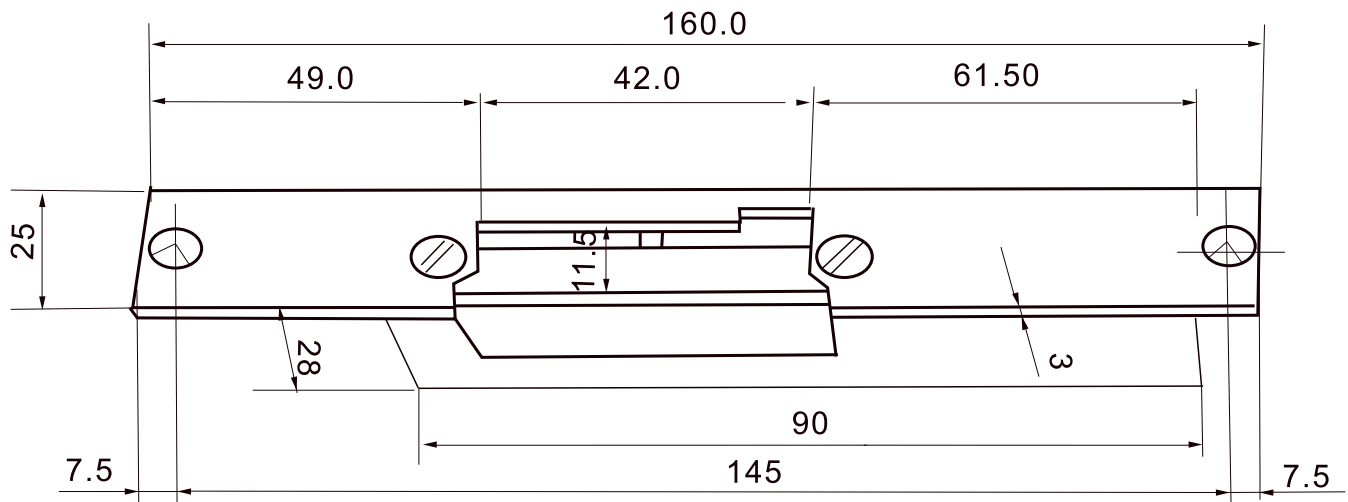


AX-ES230NO

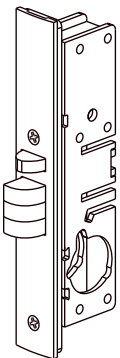
Installation

Model	Face Plate	Voltage	Current	Fail Safe	Suitable for	Weight
AX-ES230NO	250Lx25Wx28H	12VDC	450mA	Fail Secure(NO)	Woodeng door Metal door	0.4 kg

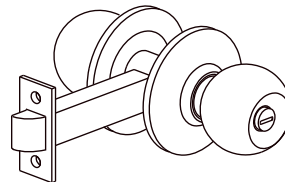
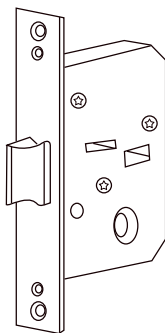
Diagram



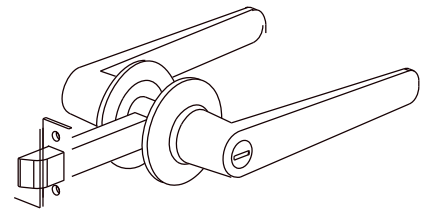
Options of Mechanical Lock



Mechanical Lock



Knob lock



Mechanical lock with handle