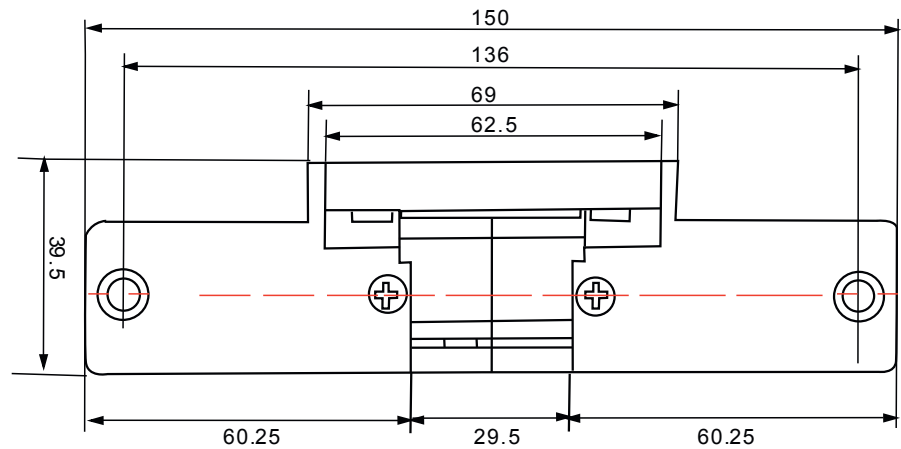
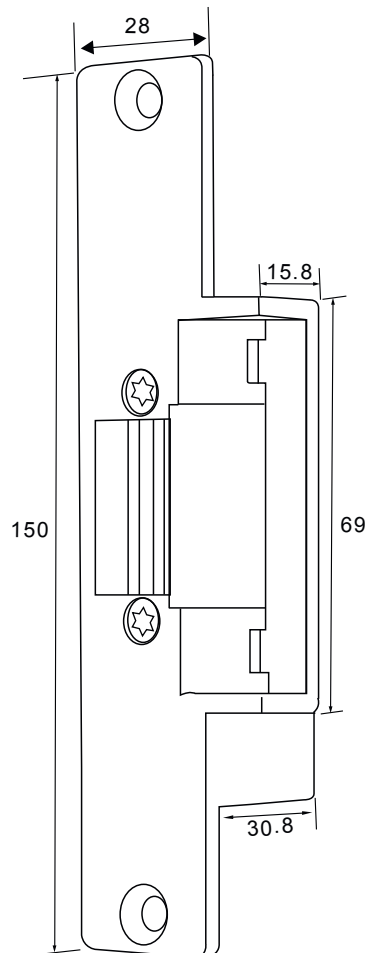


AX-ES220NO | AX-ES220NC

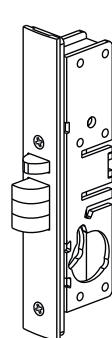
Specification

| | |
|---------------------|-------------------------|
| Size | 150Lx39.5Wx28H(mm) |
| Voltage | 12VDC |
| Current | 200mA |
| Suitable For | Wooden Door, Metal Door |
| Finishing | Electroplating |
| Weight | 0.4kg |

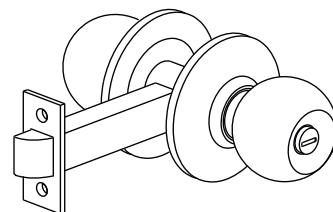
Diagram



Options of Mechanical Lock



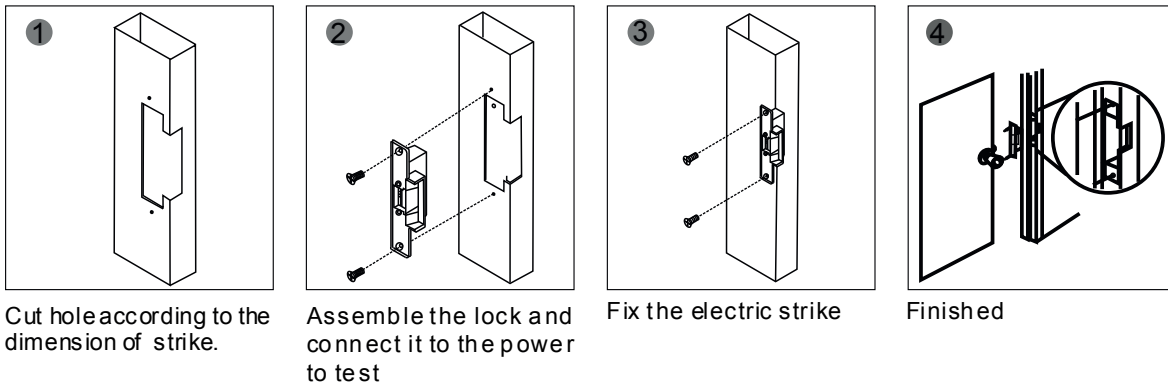
Mechanical Lock



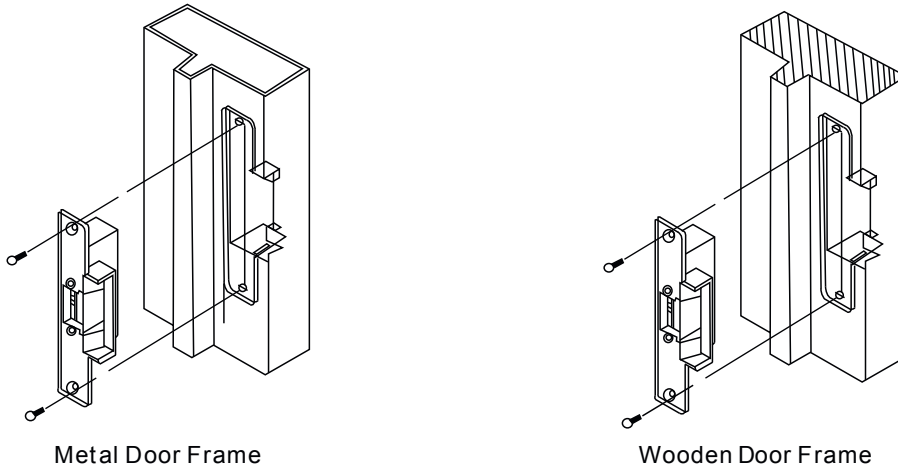
Knob lock

AX-ES220NO | AX-ES220NC

Installation



Suitable for



Wire Connection

