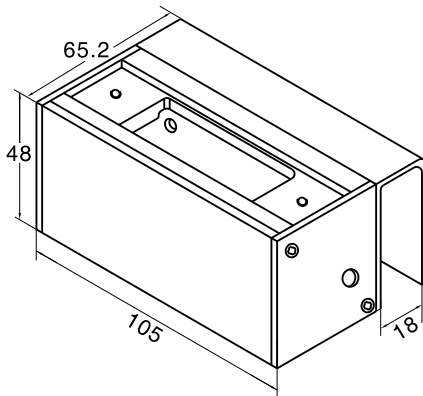


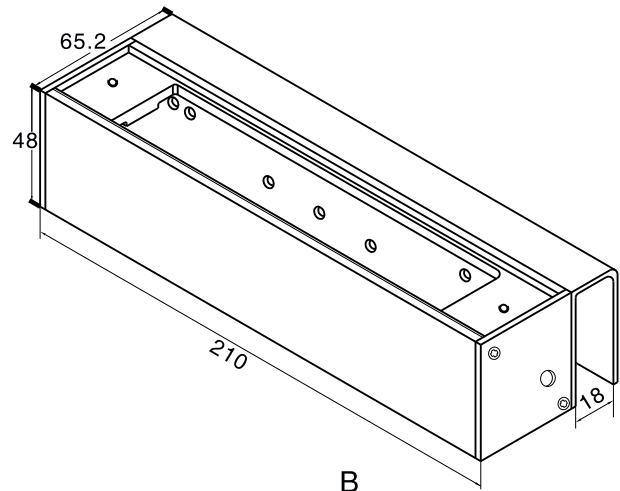
► Specification

- Dimension: 105Lx65.2Wx48H(mm) (A)
210Lx65.2Wx48H(mm) (B)
- Standard structure: High strength aluminum, sandblast finished
- Suitable for door: Glass door
- Opening mode: 90 or 180 degree door
- Finished for shell: Anodized aluminum
- Weight: 0.3kg

► Dimension

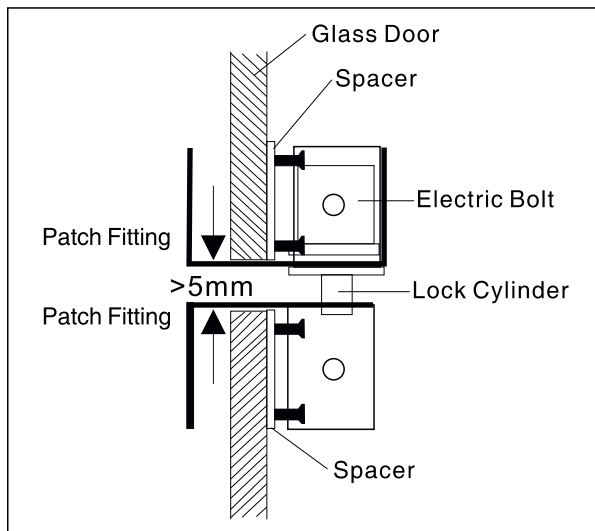


A

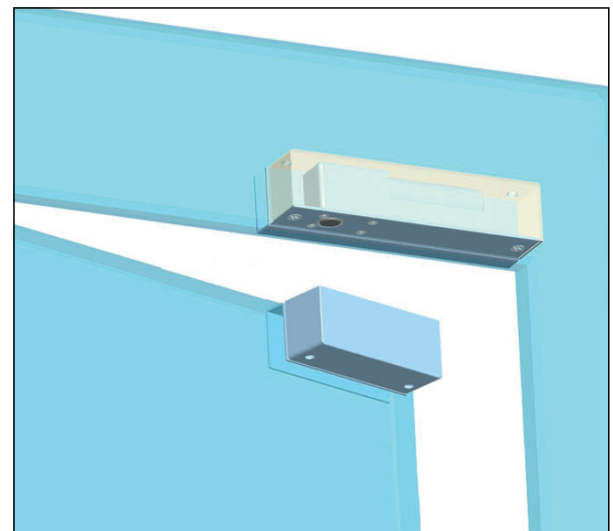


B

► Installation



Bracket Section View



Bracket Installation Diagram