

AX-M600-GZ

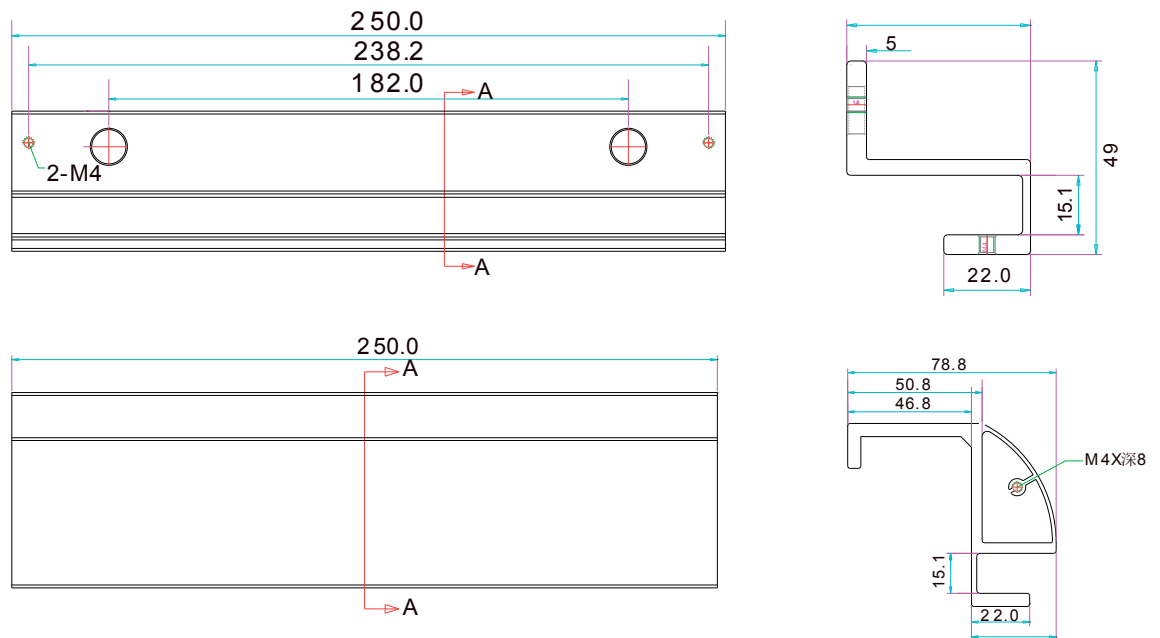
Magnetic Lock Bracket for
Frameless Glass Door

axceze®

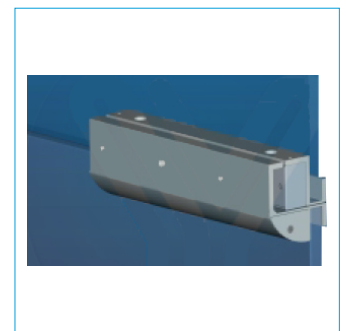
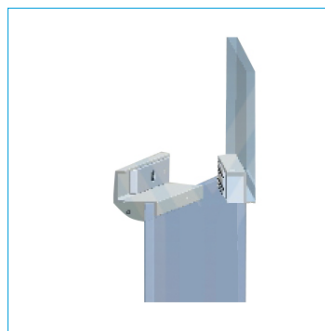
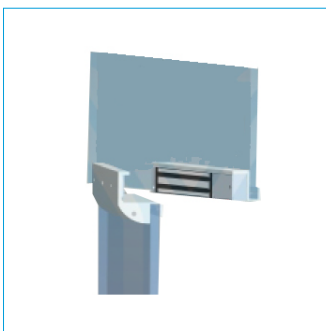
► Specification

- Dimension: 250L x 47W x 28H(mm)
- Material: High Strength Aluminium,
- Sandblast Finished
- Suitable for: 10-15mm Frameless Glass Door
- Opening Mode: 90 Degree Door
- Use with: 280kgs Series Magnetic Lock
- Finished for Shell: Anodized Aluminium
- Weight: 0.89kg

► Dimension



► Installation



CE (MA)

axceze®

AX-M600-GZ