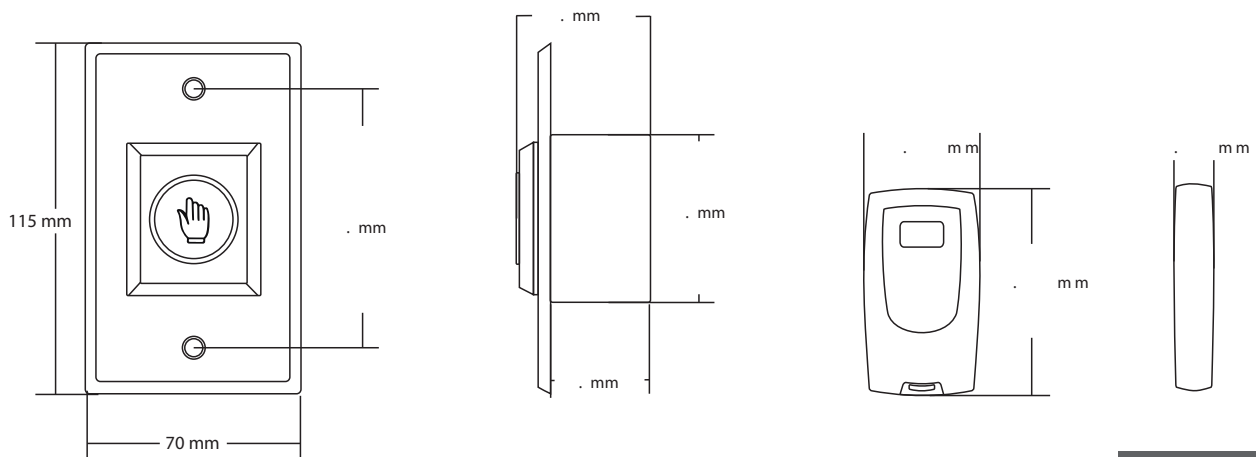


## Specification

- **Dimensions:** 115Lx70Wx26H(mm)
- **Power:** 12VDC or 24VDC
- **Output Contact:** NO/NC/COM
- **Contact Rating:** 12-24V,3A
- **RR Mode:** Touchless+Remote(Self Reset)
- **Remote Handle:**  
Single Key, 16 handles can be added at most
- **Panel:** 0.7mm Thick 304 Stainless steel
- **Mechanical Life:** 500,000 tests
- **Suitable for Door:** Hollow Door
- **Operating temp:** -20°C~+55°C(14-131F)
- **Suitable Humidity:** 0-95% (relative humidity)
- **Detection range:** 5-10CM
- **LED Indicator:** Blue LED indicator ( Standby ) ,Green LED indicator ( Sensation )
- **Weight:** 0.16KG



## Product Dimension



CE RoHS