

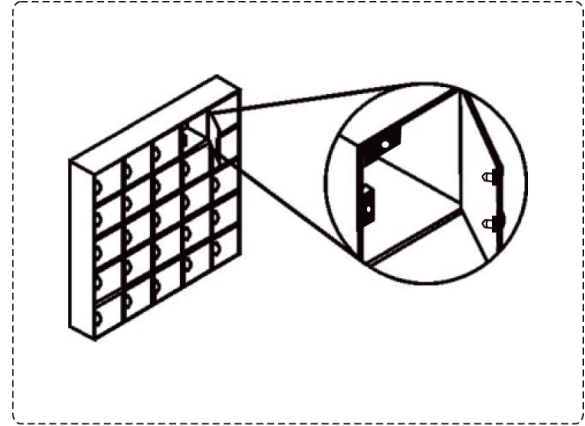
# AX-H20

Electric Cabinet Lock

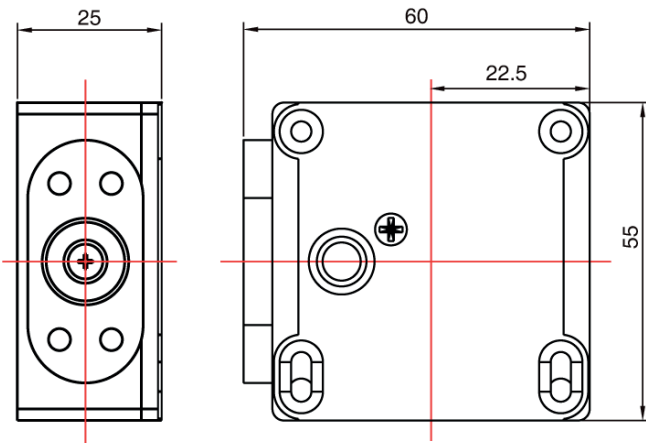
## ► Technical Parameters

Size	55Lx55Wx25H(mm)
Pin Length	18mm
Pin Diameter	7mm
Voltage	12VDC 10%
Current	320mA
Suitable for	File cabinet Storage cabinet Public cloak room
Weight	0.1kg

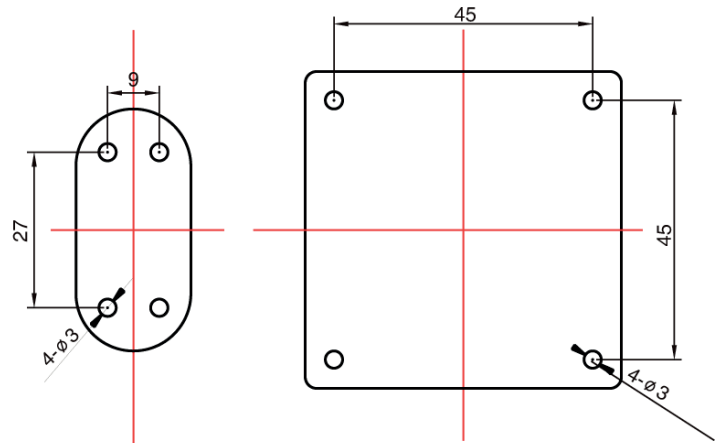
## ► Installation



## ► Dimension



Outline dimensional drawing



Hole size