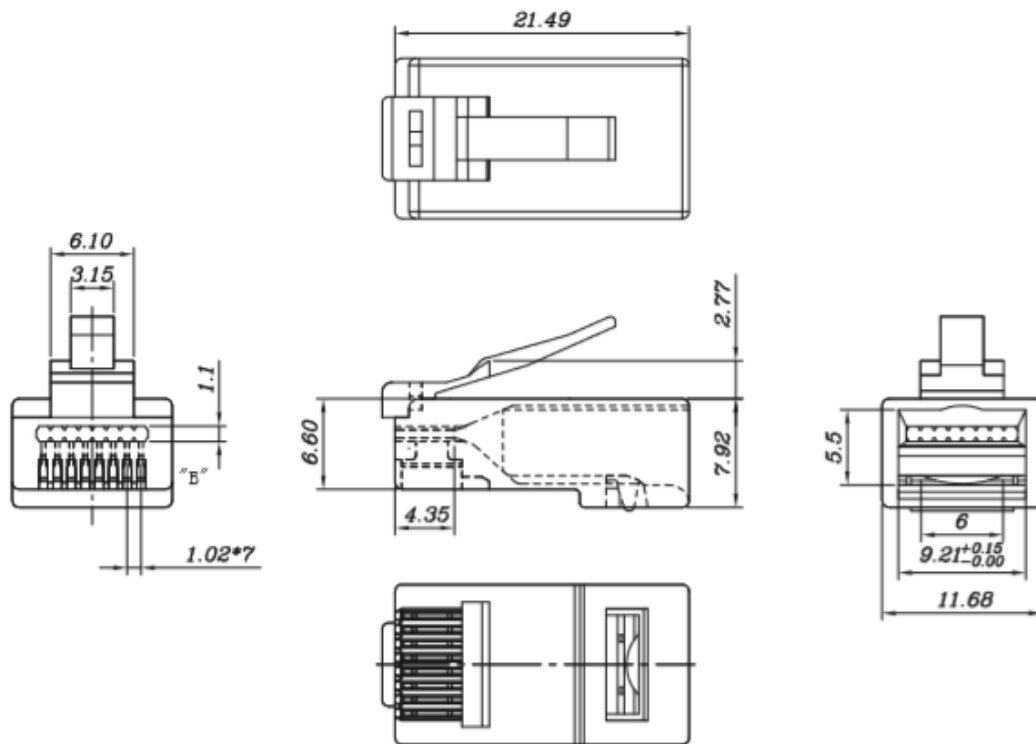


MODELO	EPRO-PLUG6-50
DESCRIPCION	PLUG FACIL PONCHADO CAT6 ENSON EPRO-PLUG6-50 PAQUETE50PZAS



SPECIFICATIONS

1.ELECTRICAL:

UL APPLICATIONS: 250 VOLTS AC MAX. AT 2 AMPS.
 DIELECTRIC WITHSTANDING VOLTAGE : 1000 VOLTS AC. 60 SEC.
 INSULATION RESISTANCE: 500 MΩ
 CONTACT RESISTANCE: 20mΩMAX.

2.MECHANICAL:

STRAIN RELIEF: 20POUND MIN.
 DURABILITY: 1200 MATING CYCLES.

3.MATERIAL:

HOUSING: POLYCARBONATE, UL94V-0 OR UL94V-2.
 COLOR: TRANSPARENT OR OTHER COLOR ARE AVAILABLE.
 CONTACT BLADE: COPPER ALLOY.
 GOLD PLATING: 3u"~50u", ARE AVAILABLE.

4. USAGE:

SUITABLE FOR STRANDED & SOLID WIRE 23AWG ~ 26 AWG.
 (It can be used for the wire OD from Ø 0.93 ~ Ø1.04)