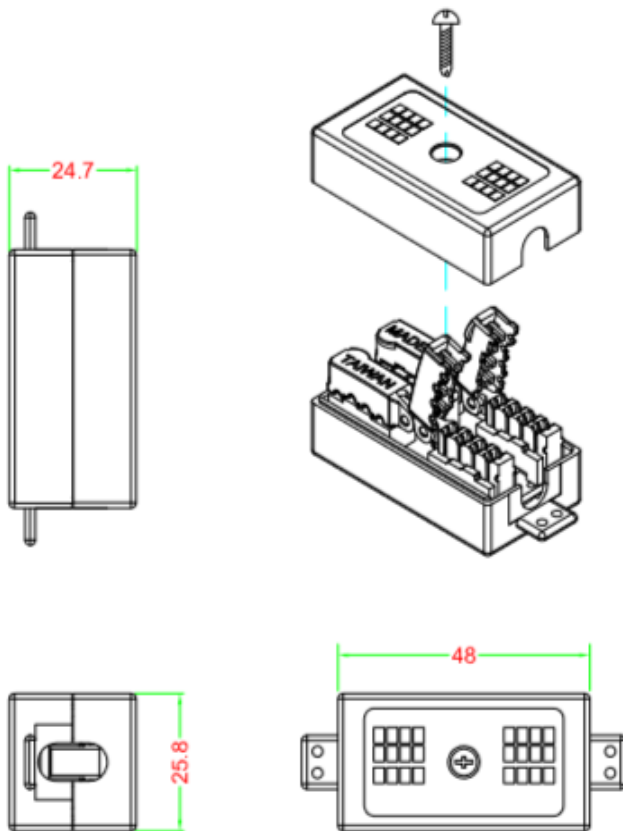


MODELO	EPRO-INCOP6
DESCRIPCION	COPLER UTP ENSON EPRO-INCOP6 CAT6



Performance:

Meets C6 EIA/TIA 568B Standard.

Materials:

Body : Fireproof ABS UL-94V0
 PCB : FR-4 / UL-94V0
 IDC Cap : Fireproof PC+Glass Fiber UL-94V2
 IDC Body : Fireproof ABS UL-94V0
 IDC Pin : Phosphor Bronze & Tinned
 IDC Description : For 22-26 AWG.
 For 110 or Krone punch-down Tool
 Toolless (when use IDC cap directly)

Electrical Specifications:

Insulation Resistance : 500M ohms (min.)
 Contact Resistance : 20m ohms (max.)
 Current Rating : 1.5 Amps
 DC Resistance : 0.1 ohms (max.)
 Withstanding Voltage : 1000 VAC RMS @ 60Hz / 1 min.

Mechanical Specifications:

IDC Punch Down Cycle : Over 250 cycles
 Operation Temperature : -40 °C ~ +70 °C