



NetworX

TABLE OF CONTENTS

GENERAL DESCRIPTION	2
ACCESSING THE OPERATOR	2
LOADING THE FACTORY DEFAULTS	3
ENROLLING	3
PROGRAMMING THE ZONES AND X-10 OUTPUTS.....	3
LIBRARY (NAME & NUMBER).....	8
NX-540E PROGRAMMING WORKSHEETS.....	9
LOCAL TELEPHONE COMPANY INTERFACE.....	27
"OPERATOR" TERMINAL DESCRIPTION.....	28
"OPERATOR" TERMINAL DRAWING.....	29
ENCLOSURE DIAGRAM.....	30
SPECIFICATIONS	32

NX-540E "OPERATOR"

Installation and Setup

NETWORX NX-540E "OPERATOR"

GENERAL DESCRIPTION

The NetworX "Operator" is a microcomputer controlled telephone interface module that may be added to NetworX control panels. The "Operator" converts any TouchTone telephone to a system keypad and allows system functions to be accessed via telephone on-premise or off-site. There are 48 separate zone descriptions that may be programmed to fit the owner's needs. In addition, the "Operator" will control up to thirty-two X-10 modules (requires only one X-10 Pro PSC04 Interface Module per NetworX system) with programmable descriptions for each. Each zone/output description is programmable using the 182-word Library List found on page 8.

ACCESSING THE OPERATOR

FROM A PROTECTED SITE: The "Operator" may be accessed from any TouchTone phone. Press **[*][*][*]** to activate.

FROM AN OFF-SITE PREMISE: Call the phone number of the protected site. When the phone is answered, press **[#][#][#]** within the first 8 seconds. If a person or device such as a fax/answering machine answers the call, the "Operator" will come on the line when the person or machine hangs up. Otherwise, the "Operator" will automatically answer the call after it hears a pre-designated number of rings as programmed in location 0. The answering machine defeat function can be programmed in location 179 on page 6. The "Operator" will prompt for a valid user code: **"Please enter your code"**.

NOTE: These access codes (***) and ###) are programmable and can be changed in locations 177 and 178. Refer to page 5.

ENTERING THE PROGRAM MODE: The program mode is accessed through the keypad of a TouchTone phone by pressing **[*][8]** once the "Operator" answers. The **[*]** accesses the main MENU, and **[8]** accesses the programming mode.

- If accessing from the *protected* site, the "Operator" will now prompt for a program code: **"Enter your code"**. (Factory default code is **[9][7][1][3]**). You are now in the Program Mode and ready to select the module to program.
- If accessing from an *off-site* premise, when the "Operator" prompts for a code, enter the download access code (Factory default code is 84800000). NOTE: Location 179 must be enabled for this function.

The "Operator" will now prompt for the module: **"Enter expander number followed by pound [#]"**.

SELECTING THE MODULE TO PROGRAM: The module you are programming should be the first entry. To program the "Operator", enter **[4][0][#]**. The **[4][0]** is the module number of the "Operator" and the **[#]** is the entry key. Other module numbers can be found in their corresponding manuals.

The "Operator" will now prompt you for a location to program: **"Enter location number followed by pound [#]"**.


PROGRAMMING A LOCATION: Once the number of the module has been entered, any programming location can be accessed by directly entering the number of that specific location followed by **[#]**.

EXITING A LOCATION: After the last segment of a location has been programmed, pressing **[*]** will exit that location. The **[*]** key must be pressed or the data will not be saved. To exit before the last segment, press **[#]**. As before, you are now ready to enter another programming location.

EXITING THE PROGRAM MODE: When all the desired changes in programming have been made, it is time to exit the Program Mode. Press **[9][3][0][#]** from a remote phone or **[EXIT] [EXIT]** from the keypad.

LOADING THE FACTORY DEFAULTS

To load the factory defaults, enter the Program Mode using the procedure described above, then type **[9][1][0][#]**. The loading takes approximately 10 seconds.

 Load factory defaults: **[9][1][0][#]**
 Exit program mode: **[9][3][0][#]** from remote phone or **[EXIT] [EXIT]** from keypad


ENROLLING

The NetworX control panels have the ability to automatically find and store in their memory the presence of all keypads, zone expanders, wireless receivers and any other module connected to the DATA terminal. This allows these modules to be supervised by the control panel. To enroll the NetworX "Operator" module, enter the Program Mode as previously described. When the Program Mode is exited, the NetworX control will automatically enroll the devices. The enrolling process takes about 12 seconds, during which time the "Service" LED will illuminate. User codes will not be accepted during the enrolling process. If a speaker is attached to the control panel, it will click at this time. If a siren or bell is attached to the control panel, it will sound for about 1 second. Once a module is enrolled, if it is not detected by the control, the "Service" LED will illuminate.

PROGRAMMING THE ZONES AND X-10 OUTPUTS

Location 0 Rings to Answer (2 segments - numerical data)
 Segment 1 contains the number of rings the NetworX "Operator" will wait before answering the telephone. Valid entries are 0-15, where 0 disables.
 Segment 2 is Reserved.

Locations 1 - 48 Zone Descriptions (8 segments - numerical data)
 These locations contain the programming data for voice descriptions (characteristics) of zones 1 - 48. Each of the 48 locations/zones has a programmable message of 8 words maximum for each location.

 The NX-540E is compatible with the NX-8E control panel. However, zones 49-192 do NOT have custom zone descriptions. The interface module will simply state the zone number, i.e. "Zone 49" to "Zone 192".

Location 49 Output Description (8 segments - numerical data)
 Location 49 contains the programmable data for voice description (characteristic) of X-10 Output #1. This location allows a programmable message of 8 words maximum.

Location 50 Output Event/Zone/Time (3 segments - numerical data)
 Location 50 is used to select the particular function, zone number and time for X-10 Output #1 to trip.

Segment 1 (EVENT)	Selects the event that will trigger the X-10 output. Refer to the chart on the next page for the specific events that can be selected.
Segment 2 (ZONE/USER)	Selects the zone or user number necessary to trigger the X-10 output. If this location is programmed as a zero "0", any zone or user will activate the X-10 output.
Segment 3 (TIME)	Selects the amount of time the X-10 output will remain activated when triggered. If this location is programmed as a zero "0", the X-10 output will follow the particular event.

Table 1.1 Event Table

#	Event	#	Event	#	Event
0 ✓	Burglary Alarm	17	Alarm Memory	35	Telephone Line Fault
1 ✓	Fire Alarm	18	Entry	36	Program Mode
2 ✓	24 Hour Alarm	19	Exit	37	Download
3 ✓	Zone Trouble	20	Entry or Exit	38	Ground Fault
4 ✓	Zone Tamper	21	Armed	39	Over Current
5	Burglary Siren	22	Not Armed	40	Box Tamper
6	Fire Siren	23	Ready	41	Siren Tamper
7	Any Siren	24	Not Ready	42	Any Zone Faulted
8	Zone Bypass	25	Fire	43 ✓	Any Alarm
9	AC Failure	26	Fire Trouble	44	Keypad Beeping
10	System Low Battery	27	Chime	45 ✓	Code Entry
11 ✓	Duress	28 ✓	Expander Trouble	46 ☒	Key FOB Function 1
12 ✓	Manual Fire	29	Dynamic Battery Test	47 ☒	Key FOB Function 2
13 ✓	Aux 2 Keypad	30 ❖	Open Schedule	48	Follow X10 Command
14 ✓	Keypad Panic	31 ❖	Closed Schedule	49	Flash X-10 for Alarm Memory
15	Keypad Tamper	32	Listen In	50	Flash X-10 for Siren
16 ✓	Automatic Test	33	Line Seizure	51	Connected External
		34	Failed to Communicate	52	Follow NX-540E Schedule

✓ If set to follow condition, these events will be 1 second.

❖ See locations 52 & 53 in control panel.

☒ Events 46 & 47 require NX-408E, NX-416E, or NX-448E wireless receivers to operate.

Location 51 Special Functions / Partitions (2 segments -feature selection data)

Segment 1 selects the following special conditions for X-10 Output #1:

- LED 1 = "ON" if output should time in minutes; "OFF" if output times in seconds
- LED 2 = "ON" if output should latch until a code is entered.
- LED 3 = "ON" if output should reset if a code is entered while it is being timed. Default is "on".
- LED 4 = "ON" if output should only trigger during a closed schedule.
- LED 5 = "ON" if output should only trigger during an open schedule
- LED 6 = "ON" if output should be inverted.
- LED 7 = "ON" if output should not be described in the menu.

Segment 2 selects the following partitions for X-10 Output #1. Factory default is "on".

- LED 1 = "ON" if the event should activate when it occurs in Partition 1.
- LED 2 = "ON" if the event should activate when it occurs in Partition 2.
- LED 3 = "ON" if the event should activate when it occurs in Partition 3.
- LED 4 = "ON" if the event should activate when it occurs in Partition 4.
- LED 5 = "ON" if the event should activate when it occurs in Partition 5.
- LED 6 = "ON" if the event should activate when it occurs in Partition 6.
- LED 7 = "ON" if the event should activate when it occurs in Partition 7.
- LED 8 = "ON" if the event should activate when it occurs in Partition 8.

Location 52 **X-10 Address for Output 1** (4 segments - numerical data)

Segment 1: Program a number (0 – 15) to represent the X-10 **Module Number** for X-10 Output #1 from the table below:

Module#	1	2	3	4	5	6	7	8	9	10	11	12	13	14	15	16
Segment 1	0	1	2	3	4	5	6	7	8	9	10	11	12	13	14	15

Segment 2: Program a number (0 – 15) to represent the X-10 **House Address** for X-10 Output #1 from the following table:

X-10 HOUSE ADDRESS CODES							
0 = A	2 = C	4 = E	6 = G	8 = I	10 = K	12 = M	14 = O
1 = B	3 = D	5 = F	7 = H	9 = J	11 = L	13 = N	15 = P

Segment 3: Program a number (0 – 15) to represent the **X10 Function Code** that is sent when the function is turned ON. Use the following table to determine the code to use. Factory default is 1.

Segment 4: Program a number (0 – 15) to represent the **X10 Function Code** that is sent when the function is turned OFF. Use the following table to determine the code to use. Factory default is 0.

X-10 FUNCTION CODES			
0 = OFF	2 = ALL UNITS OFF	4 = DIM	6 = ALL LIGHTS OFF
1 = ON	3 = ALL LIGHTS ON	5 = BRIGHT	7 - 15 = SUPPRESS command

Locations 53 - 176 **X-10 Address for Outputs 2-32**

Locations 53 through 176 are used to program X-10 Outputs #2 through 32. Each output has four locations that are programmed using the same steps as X-10 Output #1 described previously. These locations contain the following:

- 1) Description (Refer to the instructions in Location 49)
- 2) Event / Zone, User / Time (Refer to the instructions and table in Location 50)
- 3) Special Functions / Partitions (Refer to the instructions in Location 51)
- 4) X-10 Module / House Address (Refer to the instructions and tables in Location 52)

For example, X-10 Output #2 is programmed in Locations 53 – 56 while X-10 Output #32 is programmed in Locations 173 – 176. Refer to the programming worksheets beginning on page 9.

Location 177 **Internal Access** (4 segments - numerical data)

This location contains the three or four-digit code used to access the "Operator" from the premise telephone (On-Site). The factory default is 11, 11, 11 = [*][*][*].

↳ **Important Notes:** [*] = 11 [#] = 12

Location 178 **External Access** (4 segments - numerical data)

This location contains the three or four-digit code used to access the "Operator" **away** from the premise telephone (Off-Site). The factory default is 12, 12, 12 = [#][#][#].

↳ **Important Notes:** [*] = 11 [#] = 12

Location 179 **Feature and Partition Select** (3 segments -feature selection data)

Segment 1 contains special features that can be enabled with the "Operator". Factory defaults are "off".

- 1 = "ON" allows remote programming.
- 2 = "ON" enables emergency keys (Fire, Medical, and Panic).
- 3 = Reserved
- 4 = "ON" enables 2-call answering machine defeat.
- 5 = "ON" enables wait for answer machine on external access.
- 6 - 8 = Reserved

Segment 2 Reserved

Segment 3 selects the partitions that can be accessed through the "Operator". The factory default is all eight partitions "on".

- | | | | |
|-----------------|-----------------|-----------------|-----------------|
| 1 = Partition 1 | 3 = Partition 3 | 5 = Partition 5 | 7 = Partition 7 |
| 2 = Partition 2 | 4 = Partition 4 | 6 = Partition 6 | 8 = Partition 8 |

Location 180 **"Operator" Menu** (3 segments-feature selection data)

Segment 1 contains the functions that are to be included in the "Operator" MENU. This location also enables the partition functions, as well as the Home Control menu. **NOTE:** If any of the items 2, 3, 4, 6, 7, or 8 listed below are disabled, they will still perform as usual; they will simply not be included in the MENU. However, functions 1 and 5 will NOT perform if they are disabled. Factory defaults are "on".

- 1 = Enables "Change Area" function (* 1).
- 2 = Includes "Alarm Memory" function (* 3) in MENU.
- 3 = Includes "Test Siren" function (* 4) in MENU.
- 4 = Includes "Change Codes" function (* 5) in MENU. **Note:** PINS for users 100-240 cannot be programmed through the "Operator".
- 5 = Enables "Home Control" function (* 6).
- 6 = Includes "Reset Smoke Detector" function (* 7) in MENU.
- 7 = Includes "Program System" function (* 8) in MENU.
- 8 = Include "Set Time" function (* 9 7) in MENU.

Segment 2 is used to enable/disable the Home Control functions. Factory defaults are "on".

- 1 = Enables "Lights Off" function (* 6 0) and "Lights On" function (* 6 1).
- 2 = Enables "Thermostat Control" function (* 6 2).

Segment 3 Reserved

Location 181 **X-10 Signals** (1 segment - numerical data)

This location contains the number of times (0 - 15) the control panel will send an X-10 signal for dimming or reliability purposes. The default is 1.

Location 182 **Answer Machine Defeat Timer** (1 segment - numerical data)

This location programs the number of seconds (0 - 15) the "Operator" is to listen for [#][#][#] to be entered after the premise phone line is picked up. If the answering machine defeat is enabled in Location 179, even if someone answers the phone the "Operator" is still waiting for the code. Factory default is 3 seconds.

Locations 183 - 188 **Reserved**

Location 189 **Schedule 1 Opening Time** (2 segments - numerical data)

This location contains the opening time of Schedule 1. Segment 1 contains the hour of the opening time in 24-hour format. (1:00 PM = 13) Segment 2 contains the minutes after the hour of the opening time.

Location 190 Schedule 1 Closing Time (2 segments - numerical data)

This location contains the closing time of Schedule 1. Segment 1 contains the hour of the closing time in 24-hour format. (1:00 PM = 13) Segment 2 contains the minutes after the hour of the closing time.

Location 191 Schedule 1 Days (1 segment -feature selection data)

Use the following table to program the "days" for Schedule 1.

LED	DESCRIPTION	LED	DESCRIPTION
1	"ON" if the schedule is active on Sunday	5	"ON" if the schedule is active on Thursday
2	"ON" if the schedule is active on Monday	6	"ON" if the schedule is active on Friday
3	"ON" if the schedule is active on Tuesday	7	"ON" if the schedule is active on Saturday
4	"ON" if the schedule is active on Wednesday	8	Reserved

Location 192 Schedule 1 Function (1 segment - numerical data)

Schedule 1 controls any one of the 32 X-10 Output functions previously entered in locations 49 through 176. Program a number from 1 to 32 corresponding to the output you desire for Schedule 1. See corresponding output "Special Functions", options #4 (closed schedule) and #5 (open schedule).

Locations 193 - 316 Schedules 2 - 32 Function (1 segment - numerical data)

These locations contain Schedules 2 through 32. Each Schedule has four locations, which program the Opening Time, Closing Time, Days and Function respectively. For example, Schedule 2 is programmed in locations 193 through 196; and Schedule 32 is programmed in locations 313 through 316. Refer to instructions of locations 189 - 192, and programming worksheets for more details.

PROGRAMMING EXAMPLES

EXAMPLE 1: TURNS ON ENTRYWAY LIGHT UPON ENTRY ONLY DURING NIGHT. Have output #1 trip and activate an X-10 module with house code C and unit code 4 for 6 minutes when zone 1 is faulted only from 5:00PM to 9:00AM, program the following:					EXAMPLE 2: TURNS A DEVICE ON OR OFF DURING BUSINESS HOURS. Have output #5 trip and activate an X-10 module with a house code of P and a unit code of 8 from 9:00AM to 5:00PM Monday through Friday, but not at all on Saturday or Sunday, program the following:				
LOC	SEGMENT				LOC	SEGMENT			
	1	2	3	4		1	2	3	4
50	42	1	6		66	52	0	0	
51	1				67	1			
	2					2			
	3					3			
	4					4			
	5					5			
	6					6			
	7					7			
	8					8			
52	3	2	1	0	68	7	15	1	0
189	9	0			205	9	0		
190	17	0			206	17	0		
191	1								
	2								
	3								
	4								
	5								
	6								
	7								
	8								

LIBRARY (NAME & NUMBER)

ZERO..... 0	BEDROOM..... 48	HEAT 96	SECURE 144
ONE 1	BELL 49	HEATING 97	SECURITY..... 145
TWO 2	BOX 50	HELP..... 98	SENSOR..... 146
THREE 3	BYPASS 51	HOME..... 99	SET 147
FOUR..... 4	BYPASSED 52	INSERT 100	SHOCK..... 148
FIVE 5	CAN 53	INSIDE..... 101	SHOP..... 149
SIX 6	CHIME..... 54	INSTANT 102	SIDE..... 150
SEVEN 7	CLOSET 55	INTERIOR..... 103	SIREN..... 151
EIGHT 8	CODE 56	IS..... 104	SKYLIGHT..... 152
NINE 9	COMMUNICATE..... 57	KEY..... 105	SLIDING..... 153
TEN..... 10	COMPLETE 58	KITCHEN 106	SMOKE 154
ELEVEN..... 11	CONTROL..... 59	LIFT 107	SOUTH..... 155
TWELVE..... 12	COOL 60	LIGHT 108	STAIRS 156
THIRTEEN 13	DATA 61	LINE 109	START..... 157
FOURTEEN 14	DELAY 62	LIST..... 110	STORAGE 158
FIFTEEN..... 15	DEN 63	LIVING 111	STUDY 159
SIXTEEN 16	DETECTOR 64	LOCATION 112	SUMMER 160
SEVENTEEN..... 17	DINING 65	LOST..... 113	SYSTEM 161
EIGHTEEN 18	DISARM..... 66	LOW 114	TAMPER 162
NINETEEN 19	DOOR..... 67	MASTER 115	TEMPERATURE 163
TWENTY..... 20	DOWN 68	MEDICAL 116	TEST..... 164
THIRTY 21	DURESS 69	MEMORY..... 117	THE 165
FORTY 22	EAST 70	MOTION 118	TROUBLE..... 166
FIFTY..... 23	EMERGENCY..... 71	NEW 119	TURN 167
SIXTY 24	END 72	NIGHT..... 120	TV 168
SEVENTY..... 25	ENTER..... 73	NORTH 121	UP 169
EIGHTY..... 26	EXIT..... 74	NOT 122	USE 170
NINETY 27	EXPANDER..... 75	NUMBER..... 123	UTILITY..... 171
HUNDRED 28	EXTERIOR..... 76	NURSERY..... 124	VALID 172
ACCESS 29	FAILURE 77	OFF..... 125	VAULT..... 173
ACTIVE 30	FAMILY..... 78	OFFICE..... 126	WAREHOUSE 174
AIRCONDITIONER .. 31	FAN..... 79	OLD 127	WEST..... 175
ALARM..... 32	FAULT 80	ON..... 128	WINDOW 176
ALL 33	FAULTED 81	OPEN 129	WINDOWS 177
AM 34	FEATURES..... 82	OPENING..... 130	WINTER 178
AND 35	FINISHED 83	OUTPUT..... 131	WIRELESS 179
AREA..... 36	FIRE..... 84	OUTSIDE 132	YARD 180
ARMED 37	FOLLOWED 85	OVERCURRENT 133	ZONE..... 181
ATTIC..... 38	FRONT..... 86	PANIC 134	
AUDIO 39	GAME 87	PARTITION 135	
AUTHORIZED..... 40	GARAGE 88	PHONE 136	
AUTO..... 41	GAS 89	PM 137	
AUTOMATIC 42	GLASSBREAK 90	POINT 138	
AUXILIARY 43	GROUND..... 91	POWER..... 139	
BACK..... 44	GROUP 92	READY 140	
BASEMENT 45	GUEST..... 93	REAR 141	
BATHROOM 46	HALL 94	ROOM 142	
BATTERY..... 47	HALLWAY..... 95	SAFE..... 143	

NX-540E PROGRAMMING WORKSHEETS

LOC	DESCRIPTION	DATA1	DATA2	DATA3	DATA4	DATA5	DATA6	DATA7	DATA8
0	RINGS TO ANSWER								
1	ZONE 1 DESCRIPTION								
2	ZONE 2 DESCRIPTION								
3	ZONE 3 DESCRIPTION								
4	ZONE 4 DESCRIPTION								
5	ZONE 5 DESCRIPTION								
6	ZONE 6 DESCRIPTION								
7	ZONE 7 DESCRIPTION								
8	ZONE 8 DESCRIPTION								
9	ZONE 9 DESCRIPTION								
10	ZONE 10 DESCRIPTION								
11	ZONE 11 DESCRIPTION								
12	ZONE 12 DESCRIPTION								
13	ZONE 13 DESCRIPTION								
14	ZONE 14 DESCRIPTION								
15	ZONE 15 DESCRIPTION								
16	ZONE 16 DESCRIPTION								
17	ZONE 17 DESCRIPTION								
18	ZONE 18 DESCRIPTION								
19	ZONE 19 DESCRIPTION								
20	ZONE 20 DESCRIPTION								
21	ZONE 21 DESCRIPTION								
22	ZONE 22 DESCRIPTION								
23	ZONE 23 DESCRIPTION								
24	ZONE 24 DESCRIPTION								
25	ZONE 25 DESCRIPTION								
26	ZONE 26 DESCRIPTION								
27	ZONE 27 DESCRIPTION								
28	ZONE 28 DESCRIPTION								
29	ZONE 29 DESCRIPTION								
30	ZONE 30 DESCRIPTION								
31	ZONE 31 DESCRIPTION								
32	ZONE 32 DESCRIPTION								
33	ZONE 33 DESCRIPTION								
34	ZONE 34 DESCRIPTION								
35	ZONE 35 DESCRIPTION								
36	ZONE 36 DESCRIPTION								
37	ZONE 37 DESCRIPTION								
38	ZONE 38 DESCRIPTION								
39	ZONE 39 DESCRIPTION								

LOC	DESCRIPTION	DATA1	DATA2	DATA3	DATA4	DATA5	DATA6	DATA7	DATA8
40	ZONE 40 DESCRIPTION								
41	ZONE 41 DESCRIPTION								
42	ZONE 42 DESCRIPTION								
43	ZONE 43 DESCRIPTION								
44	ZONE 44 DESCRIPTION								
45	ZONE 45 DESCRIPTION								
46	ZONE 46 DESCRIPTION								
47	ZONE 47 DESCRIPTION								
48	ZONE 48 DESCRIPTION								

NOTE: The NX-540E is compatible with the NX-8E control panel. However, zones 49-192 do NOT have custom zone descriptions. The module will simply state the zone number, i.e. "Zone 49" to "Zone 192".

LOC	DESCRIPTION	DEFAULT	DATA																																										
49	X-10 OUTPUT 1 DESCRIPTION	108 1																																											
50	X-10 OUTPUT 1 EVENT/ZONE/TIME	48 0 0																																											
51	X-10 OUTPUT 1 SPECIAL FUNCTIONS/PARTITIONS																																												
	Segment 1 <input type="checkbox"/> 1 = "ON" if output should time in minutes; "OFF" if output times in seconds. <input type="checkbox"/> 2 = "ON" if output should latch until a code is entered. <input type="checkbox"/> 3 = "ON" if output should reset if a code is entered while it is being timed. <input type="checkbox"/> 4 = "ON" if output should only trigger during a closed schedule. <input type="checkbox"/> 5 = "ON" if output should only trigger during an open schedule <input type="checkbox"/> 6 = "ON" if output should be inverted. <input type="checkbox"/> 7 = "ON" if output should not be described in the menu.					Segment 2 <input type="checkbox"/> 1 = Partition 1 <input type="checkbox"/> 2 = Partition 2 <input type="checkbox"/> 3 = Partition 3 <input type="checkbox"/> 4 = Partition 4 <input type="checkbox"/> 5 = Partition 5 <input type="checkbox"/> 6 = Partition 6 <input type="checkbox"/> 7 = Partition 7 <input type="checkbox"/> 8 = Partition 8																																							
52	X-10 OUTPUT 1 ADDRESS																																												
	Segment 1 = Module Number Segment 2 = House Code Segment 3 = X10 Function Code if ON Segment 4 = X10 Function Code if OFF		0 0 1 0																																										
	<table border="1"> <thead> <tr> <th colspan="4">X-10 HOUSE ADDRESS CODES</th> </tr> </thead> <tbody> <tr> <td>0 = A</td> <td>4 = E</td> <td>8 = I</td> <td>12 = M</td> </tr> <tr> <td>1 = B</td> <td>5 = F</td> <td>9 = J</td> <td>13 = N</td> </tr> <tr> <td>2 = C</td> <td>6 = G</td> <td>10 = K</td> <td>14 = O</td> </tr> <tr> <td>3 = D</td> <td>7 = H</td> <td>11 = L</td> <td>15 = P</td> </tr> </tbody> </table>				X-10 HOUSE ADDRESS CODES				0 = A	4 = E	8 = I	12 = M	1 = B	5 = F	9 = J	13 = N	2 = C	6 = G	10 = K	14 = O	3 = D	7 = H	11 = L	15 = P	<table border="1"> <thead> <tr> <th colspan="3">X10 FUNCTION CODES</th> </tr> </thead> <tbody> <tr> <td>0 = Off</td> <td>4 = Dim</td> <td>6 = All</td> </tr> <tr> <td>1 = On</td> <td>5 = Bright</td> <td>Lights Off</td> </tr> <tr> <td>2 = All Units Off</td> <td>7 - 15</td> <td></td> </tr> <tr> <td>3 = All Lights On</td> <td>Suppress</td> <td></td> </tr> </tbody> </table>						X10 FUNCTION CODES			0 = Off	4 = Dim	6 = All	1 = On	5 = Bright	Lights Off	2 = All Units Off	7 - 15		3 = All Lights On	Suppress	
X-10 HOUSE ADDRESS CODES																																													
0 = A	4 = E	8 = I	12 = M																																										
1 = B	5 = F	9 = J	13 = N																																										
2 = C	6 = G	10 = K	14 = O																																										
3 = D	7 = H	11 = L	15 = P																																										
X10 FUNCTION CODES																																													
0 = Off	4 = Dim	6 = All																																											
1 = On	5 = Bright	Lights Off																																											
2 = All Units Off	7 - 15																																												
3 = All Lights On	Suppress																																												
53	X-10 OUTPUT 2 DESCRIPTION	108 2																																											
54	X-10 OUTPUT 2 EVENT/ZONE/TIME	48 0 0																																											
55	X-10 OUTPUT 2 SPECIAL FUNCTIONS/PARTITIONS																																												
	Segment 1 <input type="checkbox"/> 1 = "ON" if output should time in minutes; "OFF" if output times in seconds. <input type="checkbox"/> 2 = "ON" if output should latch until a code is entered. <input type="checkbox"/> 3 = "ON" if output should reset if a code is entered while it is being timed. <input type="checkbox"/> 4 = "ON" if output should only trigger during a closed schedule. <input type="checkbox"/> 5 = "ON" if output should only trigger during an open schedule <input type="checkbox"/> 6 = "ON" if output should be inverted. <input type="checkbox"/> 7 = "ON" if output should not be described in the menu.					Segment 2 <input type="checkbox"/> 1 = Partition 1 <input type="checkbox"/> 2 = Partition 2 <input type="checkbox"/> 3 = Partition 3 <input type="checkbox"/> 4 = Partition 4 <input type="checkbox"/> 5 = Partition 5 <input type="checkbox"/> 6 = Partition 6 <input type="checkbox"/> 7 = Partition 7 <input type="checkbox"/> 8 = Partition 8																																							
56	X-10 OUTPUT 2 ADDRESS																																												
	Segment 1 = Module Number Segment 2 = House Code Segment 3 = X10 Function Code if ON Segment 4 = X10 Function Code if OFF		1 0 1 0																																										

LOC	DESCRIPTION	DEFAULT	DATA							
57	X-10 OUTPUT 3 DESCRIPTION	108 3								
58	X-10 OUTPUT 3 EVENT/ZONE/TIME	48 0 0								
59	X-10 OUTPUT 3 SPECIAL FUNCTIONS/PARTITIONS									
	Segment 1 <input type="checkbox"/> 1 = "ON" if output should time in minutes; "OFF" if output times in seconds. <input type="checkbox"/> 2 = "ON" if output should latch until a code is entered. <input type="checkbox"/> 3 = "ON" if output should reset if a code is entered while it is being timed. <input type="checkbox"/> 4 = "ON" if output should only trigger during a closed schedule. <input type="checkbox"/> 5 = "ON" if output should only trigger during an open schedule <input type="checkbox"/> 6 = "ON" if output should be inverted. <input type="checkbox"/> 7 = "ON" if output should not be described in the menu.					Segment 2 <input type="checkbox"/> 1 = Partition 1 <input type="checkbox"/> 2 = Partition 2 <input type="checkbox"/> 3 = Partition 3 <input type="checkbox"/> 4 = Partition 4 <input type="checkbox"/> 5 = Partition 5 <input type="checkbox"/> 6 = Partition 6 <input type="checkbox"/> 7 = Partition 7 <input type="checkbox"/> 8 = Partition 8				
60	X-10 OUTPUT 3 ADDRESS									
	Segment 1 = Module Number	2								
	Segment 2 = House Code	0								
	Segment 3 = X10 Function Code if ON	1								
	Segment 4 = X10 Function Code if OFF	0								
61	X-10 OUTPUT 4 DESCRIPTION	108 4								
62	X-10 OUTPUT 4 EVENT/ZONE/TIME	48 0 0								
63	X-10 OUTPUT 4 SPECIAL FUNCTIONS/PARTITIONS									
	Segment 1 <input type="checkbox"/> 1 = "ON" if output should time in minutes; "OFF" if output times in seconds. <input type="checkbox"/> 2 = "ON" if output should latch until a code is entered. <input type="checkbox"/> 3 = "ON" if output should reset if a code is entered while it is being timed. <input type="checkbox"/> 4 = "ON" if output should only trigger during a closed schedule. <input type="checkbox"/> 5 = "ON" if output should only trigger during an open schedule <input type="checkbox"/> 6 = "ON" if output should be inverted. <input type="checkbox"/> 7 = "ON" if output should not be described in the menu.					Segment 2 <input type="checkbox"/> 1 = Partition 1 <input type="checkbox"/> 2 = Partition 2 <input type="checkbox"/> 3 = Partition 3 <input type="checkbox"/> 4 = Partition 4 <input type="checkbox"/> 5 = Partition 5 <input type="checkbox"/> 6 = Partition 6 <input type="checkbox"/> 7 = Partition 7 <input type="checkbox"/> 8 = Partition 8				
64	X-10 OUTPUT 4 ADDRESS									
	Segment 1 = Module Number	3								
	Segment 2 = House Code	0								
	Segment 3 = X10 Function Code if ON	1								
	Segment 4 = X10 Function Code if OFF	0								
65	X-10 OUTPUT 5 DESCRIPTION	108 5								
66	X-10 OUTPUT 5 EVENT/ZONE/TIME	48 0 0								
67	X-10 OUTPUT 5 SPECIAL FUNCTIONS/PARTITIONS									
	Segment 1 <input type="checkbox"/> 1 = "ON" if output should time in minutes; "OFF" if output times in seconds. <input type="checkbox"/> 2 = "ON" if output should latch until a code is entered. <input type="checkbox"/> 3 = "ON" if output should reset if a code is entered while it is being timed. <input type="checkbox"/> 4 = "ON" if output should only trigger during a closed schedule. <input type="checkbox"/> 5 = "ON" if output should only trigger during an open schedule <input type="checkbox"/> 6 = "ON" if output should be inverted. <input type="checkbox"/> 7 = "ON" if output should not be described in the menu.					Segment 2 <input type="checkbox"/> 1 = Partition 1 <input type="checkbox"/> 2 = Partition 2 <input type="checkbox"/> 3 = Partition 3 <input type="checkbox"/> 4 = Partition 4 <input type="checkbox"/> 5 = Partition 5 <input type="checkbox"/> 6 = Partition 6 <input type="checkbox"/> 7 = Partition 7 <input type="checkbox"/> 8 = Partition 8				
68	X-10 OUTPUT 5 ADDRESS									
	Segment 1 = Module Number	4								
	Segment 2 = House Code	0								
	Segment 3 = X10 Function Code if ON	1								
	Segment 4 = X10 Function Code if OFF	0								
69	X-10 OUTPUT 6 DESCRIPTION	108 6								
70	X-10 OUTPUT 6 EVENT/ZONE/TIME	48 0 0								

LOC	DESCRIPTION	DEFAULT	DATA							
71	X-10 OUTPUT 6 SPECIAL FUNCTIONS/PARTITIONS									
	Segment 1 <input type="checkbox"/> 1 = "ON" if output should time in minutes; "OFF" if output times in seconds. <input type="checkbox"/> 2 = "ON" if output should latch until a code is entered. <input type="checkbox"/> 3 = "ON" if output should reset if a code is entered while it is being timed. <input type="checkbox"/> 4 = "ON" if output should only trigger during a closed schedule. <input type="checkbox"/> 5 = "ON" if output should only trigger during an open schedule <input type="checkbox"/> 6 = "ON" if output should be inverted. <input type="checkbox"/> 7 = "ON" if output should not be described in the menu.	Segment 2 <input type="checkbox"/> 1 = Partition 1 <input type="checkbox"/> 2 = Partition 2 <input type="checkbox"/> 3 = Partition 3 <input type="checkbox"/> 4 = Partition 4 <input type="checkbox"/> 5 = Partition 5 <input type="checkbox"/> 6 = Partition 6 <input type="checkbox"/> 7 = Partition 7 <input type="checkbox"/> 8 = Partition 8								
72	X-10 OUTPUT 6 ADDRESS									
	Segment 1 = Module Number Segment 2 = House Code Segment 3 = X10 Function Code if ON Segment 4 = X10 Function Code if OFF	5 0 1 0								
73	X-10 OUTPUT 7 DESCRIPTION	108 7								
74	X-10 OUTPUT 7 EVENT/ZONE/TIME	48 0 0								
75	X-10 OUTPUT 7 SPECIAL FUNCTIONS/PARTITIONS									
	Segment 1 <input type="checkbox"/> 1 = "ON" if output should time in minutes; "OFF" if output times in seconds. <input type="checkbox"/> 2 = "ON" if output should latch until a code is entered. <input type="checkbox"/> 3 = "ON" if output should reset if a code is entered while it is being timed. <input type="checkbox"/> 4 = "ON" if output should only trigger during a closed schedule. <input type="checkbox"/> 5 = "ON" if output should only trigger during an open schedule <input type="checkbox"/> 6 = "ON" if output should be inverted. <input type="checkbox"/> 7 = "ON" if output should not be described in the menu.	Segment 2 <input type="checkbox"/> 1 = Partition 1 <input type="checkbox"/> 2 = Partition 2 <input type="checkbox"/> 3 = Partition 3 <input type="checkbox"/> 4 = Partition 4 <input type="checkbox"/> 5 = Partition 5 <input type="checkbox"/> 6 = Partition 6 <input type="checkbox"/> 7 = Partition 7 <input type="checkbox"/> 8 = Partition 8								
76	X-10 OUTPUT 7 ADDRESS									
	Segment 1 = Module Number Segment 2 = House Code Segment 3 = X10 Function Code if ON Segment 4 = X10 Function Code if OFF	6 0 1 0								
77	X-10 OUTPUT 8 DESCRIPTION	108 8								
78	X-10 OUTPUT 8 EVENT/ZONE/TIME	48 0 0								
79	X-10 OUTPUT 8 SPECIAL FUNCTIONS/PARTITIONS									
	Segment 1 <input type="checkbox"/> 1 = "ON" if output should time in minutes; "OFF" if output times in seconds. <input type="checkbox"/> 2 = "ON" if output should latch until a code is entered. <input type="checkbox"/> 3 = "ON" if output should reset if a code is entered while it is being timed. <input type="checkbox"/> 4 = "ON" if output should only trigger during a closed schedule. <input type="checkbox"/> 5 = "ON" if output should only trigger during an open schedule <input type="checkbox"/> 6 = "ON" if output should be inverted. <input type="checkbox"/> 7 = "ON" if output should not be described in the menu.	Segment 2 <input type="checkbox"/> 1 = Partition 1 <input type="checkbox"/> 2 = Partition 2 <input type="checkbox"/> 3 = Partition 3 <input type="checkbox"/> 4 = Partition 4 <input type="checkbox"/> 5 = Partition 5 <input type="checkbox"/> 6 = Partition 6 <input type="checkbox"/> 7 = Partition 7 <input type="checkbox"/> 8 = Partition 8								
80	X-10 OUTPUT 8 ADDRESS									
	Segment 1 = Module Number Segment 2 = House Code Segment 3 = X10 Function Code if ON Segment 4 = X10 Function Code if OFF	7 0 1 0								
81	X-10 OUTPUT 9 DESCRIPTION	108 9								
82	X-10 OUTPUT 9 EVENT/ZONE/TIME	48 0 0								

LOC	DESCRIPTION	DEFAULT	DATA							
83	X-10 OUTPUT 9 SPECIAL FUNCTIONS/PARTITIONS									
	Segment 1 <input type="checkbox"/> 1 = "ON" if output should time in minutes; "OFF" if output times in seconds. <input type="checkbox"/> 2 = "ON" if output should latch until a code is entered. <input type="checkbox"/> 3 = "ON" if output should reset if a code is entered while it is being timed. <input type="checkbox"/> 4 = "ON" if output should only trigger during a closed schedule. <input type="checkbox"/> 5 = "ON" if output should only trigger during an open schedule <input type="checkbox"/> 6 = "ON" if output should be inverted. <input type="checkbox"/> 7 = "ON" if output should not be described in the menu.		Segment 2 <input type="checkbox"/> 1 = Partition 1 <input type="checkbox"/> 2 = Partition 2 <input type="checkbox"/> 3 = Partition 3 <input type="checkbox"/> 4 = Partition 4 <input type="checkbox"/> 5 = Partition 5 <input type="checkbox"/> 6 = Partition 6 <input type="checkbox"/> 7 = Partition 7 <input type="checkbox"/> 8 = Partition 8							
84	X-10 OUTPUT 9 ADDRESS									
	Segment 1 = Module Number Segment 2 = House Code Segment 3 = X10 Function Code if ON Segment 4 = X10 Function Code if OFF	8 0 1 0								
85	X-10 OUTPUT 10 DESCRIPTION	108 10								
86	X-10 OUTPUT 10 EVENT/ZONE/TIME	48 0 0								
87	X-10 OUTPUT 10 SPECIAL FUNCTIONS/PARTITIONS									
	Segment 1 <input type="checkbox"/> 1 = "ON" if output should time in minutes; "OFF" if output times in seconds. <input type="checkbox"/> 2 = "ON" if output should latch until a code is entered. <input type="checkbox"/> 3 = "ON" if output should reset if a code is entered while it is being timed. <input type="checkbox"/> 4 = "ON" if output should only trigger during a closed schedule. <input type="checkbox"/> 5 = "ON" if output should only trigger during an open schedule <input type="checkbox"/> 6 = "ON" if output should be inverted. <input type="checkbox"/> 7 = "ON" if output should not be described in the menu.		Segment 2 <input type="checkbox"/> 1 = Partition 1 <input type="checkbox"/> 2 = Partition 2 <input type="checkbox"/> 3 = Partition 3 <input type="checkbox"/> 4 = Partition 4 <input type="checkbox"/> 5 = Partition 5 <input type="checkbox"/> 6 = Partition 6 <input type="checkbox"/> 7 = Partition 7 <input type="checkbox"/> 8 = Partition 8							
88	X-10 OUTPUT 10 ADDRESS									
	Segment 1 = Module Number Segment 2 = House Code Segment 3 = X10 Function Code if ON Segment 4 = X10 Function Code if OFF	9 0 1 0								
89	X-10 OUTPUT 11 DESCRIPTION	108 11								
90	X-10 OUTPUT 11 EVENT/ZONE/TIME	48 0 0								
91	X-10 OUTPUT 11 SPECIAL FUNCTIONS/PARTITIONS									
	Segment 1 <input type="checkbox"/> 1 = "ON" if output should time in minutes; "OFF" if output times in seconds. <input type="checkbox"/> 2 = "ON" if output should latch until a code is entered. <input type="checkbox"/> 3 = "ON" if output should reset if a code is entered while it is being timed. <input type="checkbox"/> 4 = "ON" if output should only trigger during a closed schedule. <input type="checkbox"/> 5 = "ON" if output should only trigger during an open schedule <input type="checkbox"/> 6 = "ON" if output should be inverted. <input type="checkbox"/> 7 = "ON" if output should not be described in the menu.		Segment 2 <input type="checkbox"/> 1 = Partition 1 <input type="checkbox"/> 2 = Partition 2 <input type="checkbox"/> 3 = Partition 3 <input type="checkbox"/> 4 = Partition 4 <input type="checkbox"/> 5 = Partition 5 <input type="checkbox"/> 6 = Partition 6 <input type="checkbox"/> 7 = Partition 7 <input type="checkbox"/> 8 = Partition 8							
92	X-10 OUTPUT 11 ADDRESS									
	Segment 1 = Module Number Segment 2 = House Code Segment 3 = X10 Function Code if ON Segment 4 = X10 Function Code if OFF	10 0 1 0								
93	X-10 OUTPUT 12 DESCRIPTION	108 12								
94	X-10 OUTPUT 12 EVENT/ZONE/TIME	48 0 0								

LOC	DESCRIPTION	DEFAULT	DATA							
95	X-10 OUTPUT 12 SPECIAL FUNCTIONS/PARTITIONS									
	Segment 1 <input type="checkbox"/> 1 = "ON" if output should time in minutes; "OFF" if output times in seconds. <input type="checkbox"/> 2 = "ON" if output should latch until a code is entered. <input type="checkbox"/> 3 = "ON" if output should reset if a code is entered while it is being timed. <input type="checkbox"/> 4 = "ON" if output should only trigger during a closed schedule. <input type="checkbox"/> 5 = "ON" if output should only trigger during an open schedule <input type="checkbox"/> 6 = "ON" if output should be inverted. <input type="checkbox"/> 7 = "ON" if output should not be described in the menu.		Segment 2 <input type="checkbox"/> 1 = Partition 1 <input type="checkbox"/> 2 = Partition 2 <input type="checkbox"/> 3 = Partition 3 <input type="checkbox"/> 4 = Partition 4 <input type="checkbox"/> 5 = Partition 5 <input type="checkbox"/> 6 = Partition 6 <input type="checkbox"/> 7 = Partition 7 <input type="checkbox"/> 8 = Partition 8							
96	X-10 OUTPUT 12 ADDRESS									
	Segment 1 = Module Number	11								
	Segment 2 = House Code	0								
	Segment 3 = X10 Function Code if ON	1								
	Segment 4 = X10 Function Code if OFF	0								
97	X-10 OUTPUT 13 DESCRIPTION	108 13								
98	X-10 OUTPUT 13 EVENT/ZONE/TIME	48 0 0								
99	X-10 OUTPUT 13 SPECIAL FUNCTIONS/PARTITIONS									
	Segment 1 <input type="checkbox"/> 1 = "ON" if output should time in minutes; "OFF" if output times in seconds. <input type="checkbox"/> 2 = "ON" if output should latch until a code is entered. <input type="checkbox"/> 3 = "ON" if output should reset if a code is entered while it is being timed. <input type="checkbox"/> 4 = "ON" if output should only trigger during a closed schedule. <input type="checkbox"/> 5 = "ON" if output should only trigger during an open schedule <input type="checkbox"/> 6 = "ON" if output should be inverted. <input type="checkbox"/> 7 = "ON" if output should not be described in the menu.		Segment 2 <input type="checkbox"/> 1 = Partition 1 <input type="checkbox"/> 2 = Partition 2 <input type="checkbox"/> 3 = Partition 3 <input type="checkbox"/> 4 = Partition 4 <input type="checkbox"/> 5 = Partition 5 <input type="checkbox"/> 6 = Partition 6 <input type="checkbox"/> 7 = Partition 7 <input type="checkbox"/> 8 = Partition 8							
100	X-10 OUTPUT 13 ADDRESS									
	Segment 1 = Module Number	12								
	Segment 2 = House Code	0								
	Segment 3 = X10 Function Code if ON	1								
	Segment 4 = X10 Function Code if OFF	0								
101	X-10 OUTPUT 14 DESCRIPTION	108 14								
102	X-10 OUTPUT 14 EVENT/ZONE/TIME	48 0 0								
103	X-10 OUTPUT 14 SPECIAL FUNCTIONS/PARTITIONS									
	Segment 1 <input type="checkbox"/> 1 = "ON" if output should time in minutes; "OFF" if output times in seconds. <input type="checkbox"/> 2 = "ON" if output should latch until a code is entered. <input type="checkbox"/> 3 = "ON" if output should reset if a code is entered while it is being timed. <input type="checkbox"/> 4 = "ON" if output should only trigger during a closed schedule. <input type="checkbox"/> 5 = "ON" if output should only trigger during an open schedule <input type="checkbox"/> 6 = "ON" if output should be inverted. <input type="checkbox"/> 7 = "ON" if output should not be described in the menu.		Segment 2 <input type="checkbox"/> 1 = Partition 1 <input type="checkbox"/> 2 = Partition 2 <input type="checkbox"/> 3 = Partition 3 <input type="checkbox"/> 4 = Partition 4 <input type="checkbox"/> 5 = Partition 5 <input type="checkbox"/> 6 = Partition 6 <input type="checkbox"/> 7 = Partition 7 <input type="checkbox"/> 8 = Partition 8							
104	X-10 OUTPUT 14 ADDRESS									
	Segment 1 = Module Number	13								
	Segment 2 = House Code	0								
	Segment 3 = X10 Function Code if ON	1								
	Segment 4 = X10 Function Code if OFF	0								
105	X-10 OUTPUT 15 DESCRIPTION	108 15								
106	X-10 OUTPUT 15 EVENT/ZONE/TIME	48 0 0								

LOC	DESCRIPTION	DEFAULT	DATA							
107	X-10 OUTPUT 15 SPECIAL FUNCTIONS/PARTITIONS									
	Segment 1 <input type="checkbox"/> 1 = "ON" if output should time in minutes; "OFF" if output times in seconds. <input type="checkbox"/> 2 = "ON" if output should latch until a code is entered. <input type="checkbox"/> 3 = "ON" if output should reset if a code is entered while it is being timed. <input type="checkbox"/> 4 = "ON" if output should only trigger during a closed schedule. <input type="checkbox"/> 5 = "ON" if output should only trigger during an open schedule <input type="checkbox"/> 6 = "ON" if output should be inverted. <input type="checkbox"/> 7 = "ON" if output should not be described in the menu.		Segment 2 <input type="checkbox"/> 1 = Partition 1 <input type="checkbox"/> 2 = Partition 2 <input type="checkbox"/> 3 = Partition 3 <input type="checkbox"/> 4 = Partition 4 <input type="checkbox"/> 5 = Partition 5 <input type="checkbox"/> 6 = Partition 6 <input type="checkbox"/> 7 = Partition 7 <input type="checkbox"/> 8 = Partition 8							
108	X-10 OUTPUT 15 ADDRESS									
	Segment 1 = Module Number Segment 2 = House Code Segment 3 = X10 Function Code if ON Segment 4 = X10 Function Code if OFF	14 0 1 0								
109	X-10 OUTPUT 16 DESCRIPTION	108 16								
110	X-10 OUTPUT 16 EVENT/ZONE/TIME	48 0 0								
111	X-10 OUTPUT 16 SPECIAL FUNCTIONS/PARTITIONS									
	Segment 1 <input type="checkbox"/> 1 = "ON" if output should time in minutes; "OFF" if output times in seconds. <input type="checkbox"/> 2 = "ON" if output should latch until a code is entered. <input type="checkbox"/> 3 = "ON" if output should reset if a code is entered while it is being timed. <input type="checkbox"/> 4 = "ON" if output should only trigger during a closed schedule. <input type="checkbox"/> 5 = "ON" if output should only trigger during an open schedule <input type="checkbox"/> 6 = "ON" if output should be inverted. <input type="checkbox"/> 7 = "ON" if output should not be described in the menu.		Segment 2 <input type="checkbox"/> 1 = Partition 1 <input type="checkbox"/> 2 = Partition 2 <input type="checkbox"/> 3 = Partition 3 <input type="checkbox"/> 4 = Partition 4 <input type="checkbox"/> 5 = Partition 5 <input type="checkbox"/> 6 = Partition 6 <input type="checkbox"/> 7 = Partition 7 <input type="checkbox"/> 8 = Partition 8							
112	X-10 OUTPUT 16 ADDRESS									
	Segment 1 = Module Number Segment 2 = House Code Segment 3 = X10 Function Code if ON Segment 4 = X10 Function Code if OFF	15 0 1 0								
113	X-10 OUTPUT 17 DESCRIPTION	108 17								
114	X-10 OUTPUT 17 EVENT/ZONE/TIME	48 0 0								
115	X-10 OUTPUT 17 SPECIAL FUNCTIONS/PARTITIONS									
	Segment 1 <input type="checkbox"/> 1 = "ON" if output should time in minutes; "OFF" if output times in seconds. <input type="checkbox"/> 2 = "ON" if output should latch until a code is entered. <input type="checkbox"/> 3 = "ON" if output should reset if a code is entered while it is being timed. <input type="checkbox"/> 4 = "ON" if output should only trigger during a closed schedule. <input type="checkbox"/> 5 = "ON" if output should only trigger during an open schedule <input type="checkbox"/> 6 = "ON" if output should be inverted. <input type="checkbox"/> 7 = "ON" if output should not be described in the menu.		Segment 2 <input type="checkbox"/> 1 = Partition 1 <input type="checkbox"/> 2 = Partition 2 <input type="checkbox"/> 3 = Partition 3 <input type="checkbox"/> 4 = Partition 4 <input type="checkbox"/> 5 = Partition 5 <input type="checkbox"/> 6 = Partition 6 <input type="checkbox"/> 7 = Partition 7 <input type="checkbox"/> 8 = Partition 8							
116	X-10 OUTPUT 17 ADDRESS									
	Segment 1 = Module Number Segment 2 = House Code Segment 3 = X10 Function Code if ON Segment 4 = X10 Function Code if OFF	0 1 1 0								
117	X-10 OUTPUT 18 DESCRIPTION	108 18								
118	X-10 OUTPUT 18 EVENT/ZONE/TIME	48 0 0								

LOC	DESCRIPTION	DEFAULT	DATA							
119	X-10 OUTPUT 18 SPECIAL FUNCTIONS/PARTITIONS									
	Segment 1 <input type="checkbox"/> 1 = "ON" if output should time in minutes; "OFF" if output times in seconds. <input type="checkbox"/> 2 = "ON" if output should latch until a code is entered. <input type="checkbox"/> 3 = "ON" if output should reset if a code is entered while it is being timed. <input type="checkbox"/> 4 = "ON" if output should only trigger during a closed schedule. <input type="checkbox"/> 5 = "ON" if output should only trigger during an open schedule <input type="checkbox"/> 6 = "ON" if output should be inverted. <input type="checkbox"/> 7 = "ON" if output should not be described in the menu.		Segment 2 <input type="checkbox"/> 1 = Partition 1 <input type="checkbox"/> 2 = Partition 2 <input type="checkbox"/> 3 = Partition 3 <input type="checkbox"/> 4 = Partition 4 <input type="checkbox"/> 5 = Partition 5 <input type="checkbox"/> 6 = Partition 6 <input type="checkbox"/> 7 = Partition 7 <input type="checkbox"/> 8 = Partition 8							
120	X-10 OUTPUT 18 ADDRESS									
	Segment 1 = Module Number Segment 2 = House Code Segment 3 = X10 Function Code if ON Segment 4 = X10 Function Code if OFF	1 1 1 0								
121	X-10 OUTPUT 19 DESCRIPTION	108 19								
122	X-10 OUTPUT 19 EVENT/ZONE/TIME	48 0 0								
123	X-10 OUTPUT 19 SPECIAL FUNCTIONS/PARTITIONS									
	Segment 1 <input type="checkbox"/> 1 = "ON" if output should time in minutes; "OFF" if output times in seconds. <input type="checkbox"/> 2 = "ON" if output should latch until a code is entered. <input type="checkbox"/> 3 = "ON" if output should reset if a code is entered while it is being timed. <input type="checkbox"/> 4 = "ON" if output should only trigger during a closed schedule. <input type="checkbox"/> 5 = "ON" if output should only trigger during an open schedule <input type="checkbox"/> 6 = "ON" if output should be inverted. <input type="checkbox"/> 7 = "ON" if output should not be described in the menu.		Segment 2 <input type="checkbox"/> 1 = Partition 1 <input type="checkbox"/> 2 = Partition 2 <input type="checkbox"/> 3 = Partition 3 <input type="checkbox"/> 4 = Partition 4 <input type="checkbox"/> 5 = Partition 5 <input type="checkbox"/> 6 = Partition 6 <input type="checkbox"/> 7 = Partition 7 <input type="checkbox"/> 8 = Partition 8							
124	X-10 OUTPUT 19 ADDRESS									
	Segment 1 = Module Number Segment 2 = House Code Segment 3 = X10 Function Code if ON Segment 4 = X10 Function Code if OFF	2 1 1 0								
125	X-10 OUTPUT 20 DESCRIPTION	108 20								
126	X-10 OUTPUT 20 EVENT/ZONE/TIME	48 0 0								
127	X-10 OUTPUT 20 SPECIAL FUNCTIONS/PARTITIONS									
	Segment 1 <input type="checkbox"/> 1 = "ON" if output should time in minutes; "OFF" if output times in seconds. <input type="checkbox"/> 2 = "ON" if output should latch until a code is entered. <input type="checkbox"/> 3 = "ON" if output should reset if a code is entered while it is being timed. <input type="checkbox"/> 4 = "ON" if output should only trigger during a closed schedule. <input type="checkbox"/> 5 = "ON" if output should only trigger during an open schedule <input type="checkbox"/> 6 = "ON" if output should be inverted. <input type="checkbox"/> 7 = "ON" if output should not be described in the menu.		Segment 2 <input type="checkbox"/> 1 = Partition 1 <input type="checkbox"/> 2 = Partition 2 <input type="checkbox"/> 3 = Partition 3 <input type="checkbox"/> 4 = Partition 4 <input type="checkbox"/> 5 = Partition 5 <input type="checkbox"/> 6 = Partition 6 <input type="checkbox"/> 7 = Partition 7 <input type="checkbox"/> 8 = Partition 8							
128	X-10 OUTPUT 20 ADDRESS									
	Segment 1 = Module Number Segment 2 = House Code Segment 3 = X10 Function Code if ON Segment 4 = X10 Function Code if OFF	3 1 1 0								
129	X-10 OUTPUT 21 DESCRIPTION	108 21								
130	X-10 OUTPUT 21 EVENT/ZONE/TIME	48 0 0								

LOC	DESCRIPTION	DEFAULT	DATA							
131	X-10 OUTPUT 21 SPECIAL FUNCTIONS/PARTITIONS									
	Segment 1 <input type="checkbox"/> 1 = "ON" if output should time in minutes; "OFF" if output times in seconds. <input type="checkbox"/> 2 = "ON" if output should latch until a code is entered. <input type="checkbox"/> 3 = "ON" if output should reset if a code is entered while it is being timed. <input type="checkbox"/> 4 = "ON" if output should only trigger during a closed schedule. <input type="checkbox"/> 5 = "ON" if output should only trigger during an open schedule <input type="checkbox"/> 6 = "ON" if output should be inverted. <input type="checkbox"/> 7 = "ON" if output should not be described in the menu.		Segment 2 <input type="checkbox"/> 1 = Partition 1 <input type="checkbox"/> 2 = Partition 2 <input type="checkbox"/> 3 = Partition 3 <input type="checkbox"/> 4 = Partition 4 <input type="checkbox"/> 5 = Partition 5 <input type="checkbox"/> 6 = Partition 6 <input type="checkbox"/> 7 = Partition 7 <input type="checkbox"/> 8 = Partition 8							
132	X-10 OUTPUT 21 ADDRESS									
	Segment 1 = Module Number Segment 2 = House Code Segment 3 = X10 Function Code if ON Segment 4 = X10 Function Code if OFF	4 1 1 0								
133	X-10 OUTPUT 22 DESCRIPTION	108 22								
134	X-10 OUTPUT 22 EVENT/ZONE/TIME	48 0 0								
135	X-10 OUTPUT 22 SPECIAL FUNCTIONS/PARTITIONS									
	Segment 1 <input type="checkbox"/> 1 = "ON" if output should time in minutes; "OFF" if output times in seconds. <input type="checkbox"/> 2 = "ON" if output should latch until a code is entered. <input type="checkbox"/> 3 = "ON" if output should reset if a code is entered while it is being timed. <input type="checkbox"/> 4 = "ON" if output should only trigger during a closed schedule. <input type="checkbox"/> 5 = "ON" if output should only trigger during an open schedule <input type="checkbox"/> 6 = "ON" if output should be inverted. <input type="checkbox"/> 7 = "ON" if output should not be described in the menu.		Segment 2 <input type="checkbox"/> 1 = Partition 1 <input type="checkbox"/> 2 = Partition 2 <input type="checkbox"/> 3 = Partition 3 <input type="checkbox"/> 4 = Partition 4 <input type="checkbox"/> 5 = Partition 5 <input type="checkbox"/> 6 = Partition 6 <input type="checkbox"/> 7 = Partition 7 <input type="checkbox"/> 8 = Partition 8							
136	X-10 OUTPUT 22 ADDRESS									
	Segment 1 = Module Number Segment 2 = House Code Segment 3 = X10 Function Code if ON Segment 4 = X10 Function Code if OFF	5 1 1 0								
137	X-10 OUTPUT 23 DESCRIPTION	108 23								
138	X-10 OUTPUT 23 EVENT/ZONE/TIME	48 0 0								
139	X-10 OUTPUT 23 SPECIAL FUNCTIONS/PARTITIONS									
	Segment 1 <input type="checkbox"/> 1 = "ON" if output should time in minutes; "OFF" if output times in seconds. <input type="checkbox"/> 2 = "ON" if output should latch until a code is entered. <input type="checkbox"/> 3 = "ON" if output should reset if a code is entered while it is being timed. <input type="checkbox"/> 4 = "ON" if output should only trigger during a closed schedule. <input type="checkbox"/> 5 = "ON" if output should only trigger during an open schedule <input type="checkbox"/> 6 = "ON" if output should be inverted. <input type="checkbox"/> 7 = "ON" if output should not be described in the menu.		Segment 2 <input type="checkbox"/> 1 = Partition 1 <input type="checkbox"/> 2 = Partition 2 <input type="checkbox"/> 3 = Partition 3 <input type="checkbox"/> 4 = Partition 4 <input type="checkbox"/> 5 = Partition 5 <input type="checkbox"/> 6 = Partition 6 <input type="checkbox"/> 7 = Partition 7 <input type="checkbox"/> 8 = Partition 8							
140	X-10 OUTPUT 23 ADDRESS									
	Segment 1 = Module Number Segment 2 = House Code Segment 3 = X10 Function Code if ON Segment 4 = X10 Function Code if OFF	6 1 1 0								
141	X-10 OUTPUT 24 DESCRIPTION	108 24								
142	X-10 OUTPUT 24 EVENT/ZONE/TIME	48 0 0								

LOC	DESCRIPTION	DEFAULT	DATA							
143	X-10 OUTPUT 24 SPECIAL FUNCTIONS/PARTITIONS									
	Segment 1 <input type="checkbox"/> 1 = "ON" if output should time in minutes; "OFF" if output times in seconds. <input type="checkbox"/> 2 = "ON" if output should latch until a code is entered. <input type="checkbox"/> 3 = "ON" if output should reset if a code is entered while it is being timed. <input type="checkbox"/> 4 = "ON" if output should only trigger during a closed schedule. <input type="checkbox"/> 5 = "ON" if output should only trigger during an open schedule <input type="checkbox"/> 6 = "ON" if output should be inverted. <input type="checkbox"/> 7 = "ON" if output should not be described in the menu.		Segment 2 <input type="checkbox"/> 1 = Partition 1 <input type="checkbox"/> 2 = Partition 2 <input type="checkbox"/> 3 = Partition 3 <input type="checkbox"/> 4 = Partition 4 <input type="checkbox"/> 5 = Partition 5 <input type="checkbox"/> 6 = Partition 6 <input type="checkbox"/> 7 = Partition 7 <input type="checkbox"/> 8 = Partition 8							
144	X-10 OUTPUT 24 ADDRESS									
	Segment 1 = Module Number Segment 2 = House Code Segment 3 = X10 Function Code if ON Segment 4 = X10 Function Code if OFF	7 1 1 0								
145	X-10 OUTPUT 25 DESCRIPTION	108 25								
146	X-10 OUTPUT 25 EVENT/ZONE/TIME	48 0 0								
147	X-10 OUTPUT 25 SPECIAL FUNCTIONS/PARTITIONS									
	Segment 1 <input type="checkbox"/> 1 = "ON" if output should time in minutes; "OFF" if output times in seconds. <input type="checkbox"/> 2 = "ON" if output should latch until a code is entered. <input type="checkbox"/> 3 = "ON" if output should reset if a code is entered while it is being timed. <input type="checkbox"/> 4 = "ON" if output should only trigger during a closed schedule. <input type="checkbox"/> 5 = "ON" if output should only trigger during an open schedule <input type="checkbox"/> 6 = "ON" if output should be inverted. <input type="checkbox"/> 7 = "ON" if output should not be described in the menu.		Segment 2 <input type="checkbox"/> 1 = Partition 1 <input type="checkbox"/> 2 = Partition 2 <input type="checkbox"/> 3 = Partition 3 <input type="checkbox"/> 4 = Partition 4 <input type="checkbox"/> 5 = Partition 5 <input type="checkbox"/> 6 = Partition 6 <input type="checkbox"/> 7 = Partition 7 <input type="checkbox"/> 8 = Partition 8							
148	X-10 OUTPUT 25 ADDRESS									
	Segment 1 = Module Number Segment 2 = House Code Segment 3 = X10 Function Code if ON Segment 4 = X10 Function Code if OFF	8 1 1 0								
149	X-10 OUTPUT 26 DESCRIPTION	108 26								
150	X-10 OUTPUT 26 EVENT/ZONE/TIME	48 0 0								
151	X-10 OUTPUT 26 SPECIAL FUNCTIONS/PARTITIONS									
	Segment 1 <input type="checkbox"/> 1 = "ON" if output should time in minutes; "OFF" if output times in seconds. <input type="checkbox"/> 2 = "ON" if output should latch until a code is entered. <input type="checkbox"/> 3 = "ON" if output should reset if a code is entered while it is being timed. <input type="checkbox"/> 4 = "ON" if output should only trigger during a closed schedule. <input type="checkbox"/> 5 = "ON" if output should only trigger during an open schedule <input type="checkbox"/> 6 = "ON" if output should be inverted. <input type="checkbox"/> 7 = "ON" if output should not be described in the menu.		Segment 2 <input type="checkbox"/> 1 = Partition 1 <input type="checkbox"/> 2 = Partition 2 <input type="checkbox"/> 3 = Partition 3 <input type="checkbox"/> 4 = Partition 4 <input type="checkbox"/> 5 = Partition 5 <input type="checkbox"/> 6 = Partition 6 <input type="checkbox"/> 7 = Partition 7 <input type="checkbox"/> 8 = Partition 8							
152	X-10 OUTPUT 26 ADDRESS									
	Segment 1 = Module Number Segment 2 = House Code Segment 3 = X10 Function Code if ON Segment 4 = X10 Function Code if OFF	9 1 1 0								
153	X-10 OUTPUT 27 DESCRIPTION	108 27								
154	X-10 OUTPUT 27 EVENT/ZONE/TIME	48 0 0								

LOC	DESCRIPTION	DEFAULT	DATA							
155	X-10 OUTPUT 27 SPECIAL FUNCTIONS/PARTITIONS									
	Segment 1 <input type="checkbox"/> 1 = "ON" if output should time in minutes; "OFF" if output times in seconds. <input type="checkbox"/> 2 = "ON" if output should latch until a code is entered. <input type="checkbox"/> 3 = "ON" if output should reset if a code is entered while it is being timed. <input type="checkbox"/> 4 = "ON" if output should only trigger during a closed schedule. <input type="checkbox"/> 5 = "ON" if output should only trigger during an open schedule <input type="checkbox"/> 6 = "ON" if output should be inverted. <input type="checkbox"/> 7 = "ON" if output should not be described in the menu.		Segment 2 <input type="checkbox"/> 1 = Partition 1 <input type="checkbox"/> 2 = Partition 2 <input type="checkbox"/> 3 = Partition 3 <input type="checkbox"/> 4 = Partition 4 <input type="checkbox"/> 5 = Partition 5 <input type="checkbox"/> 6 = Partition 6 <input type="checkbox"/> 7 = Partition 7 <input type="checkbox"/> 8 = Partition 8							
156	X-10 OUTPUT 27 ADDRESS									
	Segment 1 = Module Number Segment 2 = House Code Segment 3 = X10 Function Code if ON Segment 4 = X10 Function Code if OFF	10 1 1 0								
157	X-10 OUTPUT 28 DESCRIPTION	108 28								
158	X-10 OUTPUT 28 EVENT/ZONE/TIME	48 0 0								
159	X-10 OUTPUT 28 SPECIAL FUNCTIONS/PARTITIONS									
	Segment 1 <input type="checkbox"/> 1 = "ON" if output should time in minutes; "OFF" if output times in seconds. <input type="checkbox"/> 2 = "ON" if output should latch until a code is entered. <input type="checkbox"/> 3 = "ON" if output should reset if a code is entered while it is being timed. <input type="checkbox"/> 4 = "ON" if output should only trigger during a closed schedule. <input type="checkbox"/> 5 = "ON" if output should only trigger during an open schedule <input type="checkbox"/> 6 = "ON" if output should be inverted. <input type="checkbox"/> 7 = "ON" if output should not be described in the menu.		Segment 2 <input type="checkbox"/> 1 = Partition 1 <input type="checkbox"/> 2 = Partition 2 <input type="checkbox"/> 3 = Partition 3 <input type="checkbox"/> 4 = Partition 4 <input type="checkbox"/> 5 = Partition 5 <input type="checkbox"/> 6 = Partition 6 <input type="checkbox"/> 7 = Partition 7 <input type="checkbox"/> 8 = Partition 8							
160	X-10 OUTPUT 28 ADDRESS									
	Segment 1 = Module Number Segment 2 = House Code Segment 3 = X10 Function Code if ON Segment 4 = X10 Function Code if OFF	11 1 1 0								
161	X-10 OUTPUT 29 DESCRIPTION	108 29								
162	X-10 OUTPUT 29 EVENT/ZONE/TIME	48 0 0								
163	X-10 OUTPUT 29 SPECIAL FUNCTIONS/PARTITIONS									
	Segment 1 <input type="checkbox"/> 1 = "ON" if output should time in minutes; "OFF" if output times in seconds. <input type="checkbox"/> 2 = "ON" if output should latch until a code is entered. <input type="checkbox"/> 3 = "ON" if output should reset if a code is entered while it is being timed. <input type="checkbox"/> 4 = "ON" if output should only trigger during a closed schedule. <input type="checkbox"/> 5 = "ON" if output should only trigger during an open schedule <input type="checkbox"/> 6 = "ON" if output should be inverted. <input type="checkbox"/> 7 = "ON" if output should not be described in the menu.		Segment 2 <input type="checkbox"/> 1 = Partition 1 <input type="checkbox"/> 2 = Partition 2 <input type="checkbox"/> 3 = Partition 3 <input type="checkbox"/> 4 = Partition 4 <input type="checkbox"/> 5 = Partition 5 <input type="checkbox"/> 6 = Partition 6 <input type="checkbox"/> 7 = Partition 7 <input type="checkbox"/> 8 = Partition 8							
164	X-10 OUTPUT 29 ADDRESS									
	Segment 1 = Module Number Segment 2 = House Code Segment 3 = X10 Function Code if ON Segment 4 = X10 Function Code if OFF	12 1 1 0								
165	X-10 OUTPUT 30 DESCRIPTION	108 30								
166	X-10 OUTPUT 30 EVENT/ZONE/TIME	48 0 0								

LOC	DESCRIPTION	DEFAULT	DATA							
167	X-10 OUTPUT 30 SPECIAL FUNCTIONS/PARTITIONS									
	Segment 1 <input type="checkbox"/> 1 = "ON" if output should time in minutes; "OFF" if output times in seconds. <input type="checkbox"/> 2 = "ON" if output should latch until a code is entered. <input type="checkbox"/> 3 = "ON" if output should reset if a code is entered while it is being timed. <input type="checkbox"/> 4 = "ON" if output should only trigger during a closed schedule. <input type="checkbox"/> 5 = "ON" if output should only trigger during an open schedule <input type="checkbox"/> 6 = "ON" if output should be inverted. <input type="checkbox"/> 7 = "ON" if output should not be described in the menu.		Segment 2 <input type="checkbox"/> 1 = Partition 1 <input type="checkbox"/> 2 = Partition 2 <input type="checkbox"/> 3 = Partition 3 <input type="checkbox"/> 4 = Partition 4 <input type="checkbox"/> 5 = Partition 5 <input type="checkbox"/> 6 = Partition 6 <input type="checkbox"/> 7 = Partition 7 <input type="checkbox"/> 8 = Partition 8							
168	X-10 OUTPUT 30 ADDRESS									
	Segment 1 = Module Number Segment 2 = House Code Segment 3 = X10 Function Code if ON Segment 4 = X10 Function Code if OFF	13 1 1 0								
169	X-10 OUTPUT 31 DESCRIPTION	108 31								
170	X-10 OUTPUT 31 EVENT/ZONE/TIME	48 0 0								
171	X-10 OUTPUT 31 SPECIAL FUNCTIONS/PARTITIONS									
	Segment 1 <input type="checkbox"/> 1 = "ON" if output should time in minutes; "OFF" if output times in seconds. <input type="checkbox"/> 2 = "ON" if output should latch until a code is entered. <input type="checkbox"/> 3 = "ON" if output should reset if a code is entered while it is being timed. <input type="checkbox"/> 4 = "ON" if output should only trigger during a closed schedule. <input type="checkbox"/> 5 = "ON" if output should only trigger during an open schedule <input type="checkbox"/> 6 = "ON" if output should be inverted. <input type="checkbox"/> 7 = "ON" if output should not be described in the menu.		Segment 2 <input type="checkbox"/> 1 = Partition 1 <input type="checkbox"/> 2 = Partition 2 <input type="checkbox"/> 3 = Partition 3 <input type="checkbox"/> 4 = Partition 4 <input type="checkbox"/> 5 = Partition 5 <input type="checkbox"/> 6 = Partition 6 <input type="checkbox"/> 7 = Partition 7 <input type="checkbox"/> 8 = Partition 8							
172	X-10 OUTPUT 31 ADDRESS									
	Segment 1 = Module Number Segment 2 = House Code Segment 3 = X10 Function Code if ON Segment 4 = X10 Function Code if OFF	14 1 1 0								
173	X-10 OUTPUT 32 DESCRIPTION	108 32								
174	X-10 OUTPUT 32 EVENT/ZONE/TIME	48 0 0								
175	X-10 OUTPUT 32 SPECIAL FUNCTIONS/PARTITIONS									
	Segment 1 <input type="checkbox"/> 1 = "ON" if output should time in minutes; "OFF" if output times in seconds. <input type="checkbox"/> 2 = "ON" if output should latch until a code is entered. <input type="checkbox"/> 3 = "ON" if output should reset if a code is entered while it is being timed. <input type="checkbox"/> 4 = "ON" if output should only trigger during a closed schedule. <input type="checkbox"/> 5 = "ON" if output should only trigger during an open schedule <input type="checkbox"/> 6 = "ON" if output should be inverted. <input type="checkbox"/> 7 = "ON" if output should not be described in the menu.		Segment 2 <input type="checkbox"/> 1 = Partition 1 <input type="checkbox"/> 2 = Partition 2 <input type="checkbox"/> 3 = Partition 3 <input type="checkbox"/> 4 = Partition 4 <input type="checkbox"/> 5 = Partition 5 <input type="checkbox"/> 6 = Partition 6 <input type="checkbox"/> 7 = Partition 7 <input type="checkbox"/> 8 = Partition 8							
176	X-10 OUTPUT 32 ADDRESS									
	Segment 1 = Module Number Segment 2 = House Code Segment 3 = X10 Function Code if ON Segment 4 = X10 Function Code if OFF	15 1 1 0								
177	INTERNAL ACCESS	***								
178	EXTERNAL ACCESS	###								

LOC	DESCRIPTION	DEFAULT	DATA	
179	FEATURE AND PARTITION SELECT			
	Segment 1 <input type="checkbox"/> 1 = "ON" if allow remote programming <input type="checkbox"/> 2 = "ON" if enable emergency keys 3 = Reserved <input type="checkbox"/> 4 = "ON" if enable 2-call answering machine defeat <input type="checkbox"/> 5 = "ON" if enable wait for answering machine on external access 6-8 Reserved		Segment 3	<input type="checkbox"/> 1 = Partition 1 <input type="checkbox"/> 2 = Partition 2 <input type="checkbox"/> 3 = Partition 3 <input type="checkbox"/> 4 = Partition 4 <input type="checkbox"/> 5 = Partition 5 <input type="checkbox"/> 6 = Partition 6 <input type="checkbox"/> 7 = Partition 7 <input type="checkbox"/> 8 = Partition 8
	Segment 2 RESERVED			
180	"OPERATOR" MENU			
	Segment 1 <input type="checkbox"/> 1 = Enables "Change Area" function (*1). <input type="checkbox"/> 2 = Includes "Alarm Memory" function (*3) in MENU. <input type="checkbox"/> 3 = Includes "Test Siren" function (*4) in MENU. <input type="checkbox"/> 4 = Includes "Change Codes" function (*5) in MENU. <input type="checkbox"/> 5 = Enables "Home Control" function (*6). <input type="checkbox"/> 6 = Includes "Reset Smoke Detector" function (*7) in MENU. <input type="checkbox"/> 7 = Includes "Program System" function (*8) in MENU. <input type="checkbox"/> 8 = Include "Set Time" function (*97) in MENU.		Segment 2	1 = Enables "Light Control" function (* 6 0) and (* 6 1). 2 = Enables "Thermostat Control" (* 6 2). 3-8 = Reserved
			Segment 3 RESERVED	
181	NUMBER OF X-10 SIGNALS	1		
182	ANSWER MACHINE DEFEAT TIMER	3		
183-188	RESERVED			
189	SCHEDULE 1 OPENING TIME	8 - 0		
190	SCHEDULE 1 CLOSING TIME	20 - 0		
191	SCHEDULE 1 DAYS			
	1 = Sunday <input type="checkbox"/> 2 = Monday <input type="checkbox"/> 3 = Tuesday <input type="checkbox"/> 4 = Wednesday <input type="checkbox"/> 5 = Thursday <input type="checkbox"/> 6 = Friday <input type="checkbox"/> 7 = Saturday <input type="checkbox"/> 8 = Reserved			
192	SCHEDULE 1 FUNCTION	1		
193	SCHEDULE 2 OPENING TIME	8 - 0		
194	SCHEDULE 2 CLOSING TIME	20 - 0		
195	SCHEDULE 2 DAYS			
	1 = Sunday <input type="checkbox"/> 2 = Monday <input type="checkbox"/> 3 = Tuesday <input type="checkbox"/> 4 = Wednesday <input type="checkbox"/> 5 = Thursday <input type="checkbox"/> 6 = Friday <input type="checkbox"/> 7 = Saturday <input type="checkbox"/> 8 = Reserved			
196	SCHEDULE 2 FUNCTION	2		
197	SCHEDULE 3 OPENING TIME	8 - 0		
198	SCHEDULE 3 CLOSING TIME	20 - 0		
199	SCHEDULE 3 DAYS			
	1 = Sunday <input type="checkbox"/> 2 = Monday <input type="checkbox"/> 3 = Tuesday <input type="checkbox"/> 4 = Wednesday <input type="checkbox"/> 5 = Thursday <input type="checkbox"/> 6 = Friday <input type="checkbox"/> 7 = Saturday <input type="checkbox"/> 8 = Reserved			
200	SCHEDULE 3 FUNCTION	3		
201	SCHEDULE 4 OPENING TIME	8 - 0		
202	SCHEDULE 4 CLOSING TIME	20 - 0		

LOC	DESCRIPTION	DEFAULT	DATA	
203	SCHEDULE 4 DAYS			
	1 = Sunday <input type="checkbox"/> 2 = Monday <input type="checkbox"/> 3 = Tuesday <input type="checkbox"/> 4 = Wednesday <input type="checkbox"/>	5 = Thursday <input type="checkbox"/> 6 = Friday <input type="checkbox"/> 7 = Saturday <input type="checkbox"/> 8 = Reserved		
204	SCHEDULE 4 FUNCTION	4		
205	SCHEDULE 5 OPENING TIME	8 - 0		
206	SCHEDULE 5 CLOSING TIME	20 - 0		
207	SCHEDULE 5 DAYS			
	1 = Sunday <input type="checkbox"/> 2 = Monday <input type="checkbox"/> 3 = Tuesday <input type="checkbox"/> 4 = Wednesday <input type="checkbox"/>	5 = Thursday <input type="checkbox"/> 6 = Friday <input type="checkbox"/> 7 = Saturday <input type="checkbox"/> 8 = Reserved		
208	SCHEDULE 5 FUNCTION	5		
209	SCHEDULE 6 OPENING TIME	8 - 0		
210	SCHEDULE 6 CLOSING TIME	20 - 0		
211	SCHEDULE 6 DAYS			
	1 = Sunday <input type="checkbox"/> 2 = Monday <input type="checkbox"/> 3 = Tuesday <input type="checkbox"/> 4 = Wednesday <input type="checkbox"/>	5 = Thursday <input type="checkbox"/> 6 = Friday <input type="checkbox"/> 7 = Saturday <input type="checkbox"/> 8 = Reserved		
212	SCHEDULE 6 FUNCTION	6		
213	SCHEDULE 7 OPENING TIME	8 - 0		
214	SCHEDULE 7 CLOSING TIME	20 - 0		
215	SCHEDULE 7 DAYS			
	1 = Sunday <input type="checkbox"/> 2 = Monday <input type="checkbox"/> 3 = Tuesday <input type="checkbox"/> 4 = Wednesday <input type="checkbox"/>	5 = Thursday <input type="checkbox"/> 6 = Friday <input type="checkbox"/> 7 = Saturday <input type="checkbox"/> 8 = Reserved		
216	SCHEDULE 7 FUNCTION	7		
217	SCHEDULE 8 OPENING TIME	8 - 0		
218	SCHEDULE 8 CLOSING TIME	20 - 0		
219	SCHEDULE 8 DAYS			
	1 = Sunday <input type="checkbox"/> 2 = Monday <input type="checkbox"/> 3 = Tuesday <input type="checkbox"/> 4 = Wednesday <input type="checkbox"/>	5 = Thursday <input type="checkbox"/> 6 = Friday <input type="checkbox"/> 7 = Saturday <input type="checkbox"/> 8 = Reserved		
220	SCHEDULE 8 FUNCTION	8		
221	SCHEDULE 9 OPENING TIME	8 - 0		
222	SCHEDULE 9 CLOSING TIME	20 - 0		
223	SCHEDULE 9 DAYS			
	1 = Sunday <input type="checkbox"/> 2 = Monday <input type="checkbox"/> 3 = Tuesday <input type="checkbox"/> 4 = Wednesday <input type="checkbox"/>	5 = Thursday <input type="checkbox"/> 6 = Friday <input type="checkbox"/> 7 = Saturday <input type="checkbox"/> 8 = Reserved		
224	SCHEDULE 9 FUNCTION	9		
225	SCHEDULE 10 OPENING TIME	8 - 0		
226	SCHEDULE 10 CLOSING TIME	20 - 0		

LOC	DESCRIPTION	DEFAULT	DATA	
227	SCHEDULE 10 DAYS			
	1 = Sunday <input type="checkbox"/> 2 = Monday <input type="checkbox"/> 3 = Tuesday <input type="checkbox"/> 4 = Wednesday <input type="checkbox"/>	5 = Thursday <input type="checkbox"/> 6 = Friday <input type="checkbox"/> 7 = Saturday <input type="checkbox"/> 8 = Reserved		
228	SCHEDULE 10 FUNCTION	10		
229	SCHEDULE 11 OPENING TIME	8 - 0		
230	SCHEDULE 11 CLOSING TIME	20 - 0		
231	SCHEDULE 11 DAYS			
	1 = Sunday <input type="checkbox"/> 2 = Monday <input type="checkbox"/> 3 = Tuesday <input type="checkbox"/> 4 = Wednesday <input type="checkbox"/>	5 = Thursday <input type="checkbox"/> 6 = Friday <input type="checkbox"/> 7 = Saturday <input type="checkbox"/> 8 = Reserved		
232	SCHEDULE 11 FUNCTION	11		
233	SCHEDULE 12 OPENING TIME	8 - 0		
234	SCHEDULE 12 CLOSING TIME	20 - 0		
235	SCHEDULE 12 DAYS			
	1 = Sunday <input type="checkbox"/> 2 = Monday <input type="checkbox"/> 3 = Tuesday <input type="checkbox"/> 4 = Wednesday <input type="checkbox"/>	5 = Thursday <input type="checkbox"/> 6 = Friday <input type="checkbox"/> 7 = Saturday <input type="checkbox"/> 8 = Reserved		
236	SCHEDULE 12 FUNCTION	12		
237	SCHEDULE 13 OPENING TIME	8 - 0		
238	SCHEDULE 13 CLOSING TIME	20 - 0		
239	SCHEDULE 13 DAYS			
	1 = Sunday <input type="checkbox"/> 2 = Monday <input type="checkbox"/> 3 = Tuesday <input type="checkbox"/> 4 = Wednesday <input type="checkbox"/>	5 = Thursday <input type="checkbox"/> 6 = Friday <input type="checkbox"/> 7 = Saturday <input type="checkbox"/> 8 = Reserved		
240	SCHEDULE 13 FUNCTION	13		
241	SCHEDULE 14 OPENING TIME	8 - 0		
242	SCHEDULE 14 CLOSING TIME	20 - 0		
243	SCHEDULE 14 DAYS			
	1 = Sunday <input type="checkbox"/> 2 = Monday <input type="checkbox"/> 3 = Tuesday <input type="checkbox"/> 4 = Wednesday <input type="checkbox"/>	5 = Thursday <input type="checkbox"/> 6 = Friday <input type="checkbox"/> 7 = Saturday <input type="checkbox"/> 8 = Reserved		
244	SCHEDULE 14 FUNCTION	14		
245	SCHEDULE 15 OPENING TIME	8 - 0		
246	SCHEDULE 15 CLOSING TIME	20 - 0		
247	SCHEDULE 15 DAYS			
	1 = Sunday <input type="checkbox"/> 2 = Monday <input type="checkbox"/> 3 = Tuesday <input type="checkbox"/> 4 = Wednesday <input type="checkbox"/>	5 = Thursday <input type="checkbox"/> 6 = Friday <input type="checkbox"/> 7 = Saturday <input type="checkbox"/> 8 = Reserved		
248	SCHEDULE 15 FUNCTION	15		
249	SCHEDULE 16 OPENING TIME	8 - 0		
250	SCHEDULE 16 CLOSING TIME	20 - 0		

LOC	DESCRIPTION	DEFAULT	DATA	
251	SCHEDULE 16 DAYS			
	1 = Sunday <input type="checkbox"/> 2 = Monday <input type="checkbox"/> 3 = Tuesday <input type="checkbox"/> 4 = Wednesday <input type="checkbox"/>	5 = Thursday <input type="checkbox"/> 6 = Friday <input type="checkbox"/> 7 = Saturday <input type="checkbox"/> 8 = Reserved		
252	SCHEDULE 16 FUNCTION	16		
253	SCHEDULE 17 OPENING TIME	8 - 0		
254	SCHEDULE 17 CLOSING TIME	20 - 0		
255	SCHEDULE 17 DAYS			
	1 = Sunday <input type="checkbox"/> 2 = Monday <input type="checkbox"/> 3 = Tuesday <input type="checkbox"/> 4 = Wednesday <input type="checkbox"/>	5 = Thursday <input type="checkbox"/> 6 = Friday <input type="checkbox"/> 7 = Saturday <input type="checkbox"/> 8 = Reserved		
256	SCHEDULE 17 FUNCTION	17		
257	SCHEDULE 18 OPENING TIME	8 - 0		
258	SCHEDULE 18 CLOSING TIME	20 - 0		
259	SCHEDULE 18 DAYS			
	1 = Sunday <input type="checkbox"/> 2 = Monday <input type="checkbox"/> 3 = Tuesday <input type="checkbox"/> 4 = Wednesday <input type="checkbox"/>	5 = Thursday <input type="checkbox"/> 6 = Friday <input type="checkbox"/> 7 = Saturday <input type="checkbox"/> 8 = Reserved		
260	SCHEDULE 18 FUNCTION	18		
261	SCHEDULE 19 OPENING TIME	8 - 0		
262	SCHEDULE 19 CLOSING TIME	20 - 0		
263	SCHEDULE 19 DAYS			
	1 = Sunday <input type="checkbox"/> 2 = Monday <input type="checkbox"/> 3 = Tuesday <input type="checkbox"/> 4 = Wednesday <input type="checkbox"/>	5 = Thursday <input type="checkbox"/> 6 = Friday <input type="checkbox"/> 7 = Saturday <input type="checkbox"/> 8 = Reserved		
264	SCHEDULE 19 FUNCTION	19		
265	SCHEDULE 20 OPENING TIME	8 - 0		
266	SCHEDULE 20 CLOSING TIME	20 - 0		
267	SCHEDULE 20 DAYS			
	1 = Sunday <input type="checkbox"/> 2 = Monday <input type="checkbox"/> 3 = Tuesday <input type="checkbox"/> 4 = Wednesday <input type="checkbox"/>	5 = Thursday <input type="checkbox"/> 6 = Friday <input type="checkbox"/> 7 = Saturday <input type="checkbox"/> 8 = Reserved		
268	SCHEDULE 20 FUNCTION	20		
269	SCHEDULE 21 OPENING TIME	8 - 0		
270	SCHEDULE 21 CLOSING TIME	20 - 0		
271	SCHEDULE 21 DAYS			
	1 = Sunday <input type="checkbox"/> 2 = Monday <input type="checkbox"/> 3 = Tuesday <input type="checkbox"/> 4 = Wednesday <input type="checkbox"/>	5 = Thursday <input type="checkbox"/> 6 = Friday <input type="checkbox"/> 7 = Saturday <input type="checkbox"/> 8 = Reserved		
272	SCHEDULE 21 FUNCTION	21		
273	SCHEDULE 22 OPENING TIME	8 - 0		
274	SCHEDULE 22 CLOSING TIME	20 - 0		

LOC	DESCRIPTION	DEFAULT	DATA	
275	SCHEDULE 22 DAYS			
	1 = Sunday <input type="checkbox"/> 2 = Monday <input type="checkbox"/> 3 = Tuesday <input type="checkbox"/> 4 = Wednesday <input type="checkbox"/>	5 = Thursday <input type="checkbox"/> 6 = Friday <input type="checkbox"/> 7 = Saturday <input type="checkbox"/> 8 = Reserved		
276	SCHEDULE 22 FUNCTION	22		
277	SCHEDULE 23 OPENING TIME	8 - 0		
278	SCHEDULE 23 CLOSING TIME	20 - 0		
279	SCHEDULE 23 DAYS			
	1 = Sunday <input type="checkbox"/> 2 = Monday <input type="checkbox"/> 3 = Tuesday <input type="checkbox"/> 4 = Wednesday <input type="checkbox"/>	5 = Thursday <input type="checkbox"/> 6 = Friday <input type="checkbox"/> 7 = Saturday <input type="checkbox"/> 8 = Reserved		
280	SCHEDULE 23 FUNCTION	23		
281	SCHEDULE 24 OPENING TIME	8 - 0		
282	SCHEDULE 24 CLOSING TIME	20 - 0		
283	SCHEDULE 24 DAYS			
	1 = Sunday <input type="checkbox"/> 2 = Monday <input type="checkbox"/> 3 = Tuesday <input type="checkbox"/> 4 = Wednesday <input type="checkbox"/>	5 = Thursday <input type="checkbox"/> 6 = Friday <input type="checkbox"/> 7 = Saturday <input type="checkbox"/> 8 = Reserved		
284	SCHEDULE 24 FUNCTION	24		
285	SCHEDULE 25 OPENING TIME	8 - 0		
286	SCHEDULE 25 CLOSING TIME	20 - 0		
287	SCHEDULE 25 DAYS			
	1 = Sunday <input type="checkbox"/> 2 = Monday <input type="checkbox"/> 3 = Tuesday <input type="checkbox"/> 4 = Wednesday <input type="checkbox"/>	5 = Thursday <input type="checkbox"/> 6 = Friday <input type="checkbox"/> 7 = Saturday <input type="checkbox"/> 8 = Reserved		
288	SCHEDULE 25 FUNCTION	25		
289	SCHEDULE 26 OPENING TIME	8 - 0		
290	SCHEDULE 26 CLOSING TIME	20 - 0		
291	SCHEDULE 26 DAYS			
	1 = Sunday <input type="checkbox"/> 2 = Monday <input type="checkbox"/> 3 = Tuesday <input type="checkbox"/> 4 = Wednesday <input type="checkbox"/>	5 = Thursday <input type="checkbox"/> 6 = Friday <input type="checkbox"/> 7 = Saturday <input type="checkbox"/> 8 = Reserved		
292	SCHEDULE 26 FUNCTION	26		
293	SCHEDULE 27 OPENING TIME	8 - 0		
294	SCHEDULE 27 CLOSING TIME	20 - 0		
295	SCHEDULE 27 DAYS			
	1 = Sunday <input type="checkbox"/> 2 = Monday <input type="checkbox"/> 3 = Tuesday <input type="checkbox"/> 4 = Wednesday <input type="checkbox"/>	5 = Thursday <input type="checkbox"/> 6 = Friday <input type="checkbox"/> 7 = Saturday <input type="checkbox"/> 8 = Reserved		
296	SCHEDULE 27 FUNCTION	27		
297	SCHEDULE 28 OPENING TIME	8 - 0		
298	SCHEDULE 28 CLOSING TIME	20 - 0		

LOC	DESCRIPTION	DEFAULT	DATA	
299	SCHEDULE 28 DAYS			
	1 = Sunday <input type="checkbox"/> 2 = Monday <input type="checkbox"/> 3 = Tuesday <input type="checkbox"/> 4 = Wednesday <input type="checkbox"/> 5 = Thursday <input type="checkbox"/> 6 = Friday <input type="checkbox"/> 7 = Saturday <input type="checkbox"/> 8 = Reserved			
300	SCHEDULE 28 FUNCTION	28		
301	SCHEDULE 29 OPENING TIME	8 - 0		
302	SCHEDULE 29 CLOSING TIME	20 - 0		
303	SCHEDULE 29 DAYS			
	1 = Sunday <input type="checkbox"/> 2 = Monday <input type="checkbox"/> 3 = Tuesday <input type="checkbox"/> 4 = Wednesday <input type="checkbox"/> 5 = Thursday <input type="checkbox"/> 6 = Friday <input type="checkbox"/> 7 = Saturday <input type="checkbox"/> 8 = Reserved			
304	SCHEDULE 29 FUNCTION	29		
305	SCHEDULE 30 OPENING TIME	8 - 0		
306	SCHEDULE 30 CLOSING TIME	20 - 0		
307	SCHEDULE 30 DAYS			
	1 = Sunday <input type="checkbox"/> 2 = Monday <input type="checkbox"/> 3 = Tuesday <input type="checkbox"/> 4 = Wednesday <input type="checkbox"/> 5 = Thursday <input type="checkbox"/> 6 = Friday <input type="checkbox"/> 7 = Saturday <input type="checkbox"/> 8 = Reserved			
308	SCHEDULE 30 FUNCTION	30		
309	SCHEDULE 31 OPENING TIME	8 - 0		
310	SCHEDULE 31 CLOSING TIME	20 - 0		
311	SCHEDULE 31 DAYS			
	1 = Sunday <input type="checkbox"/> 2 = Monday <input type="checkbox"/> 3 = Tuesday <input type="checkbox"/> 4 = Wednesday <input type="checkbox"/> 5 = Thursday <input type="checkbox"/> 6 = Friday <input type="checkbox"/> 7 = Saturday <input type="checkbox"/> 8 = Reserved			
312	SCHEDULE 31 FUNCTION	31		
313	SCHEDULE 32 OPENING TIME	8 - 0		
314	SCHEDULE 32 CLOSING TIME	20 - 0		
315	SCHEDULE 32 DAYS			
	1 = Sunday <input type="checkbox"/> 2 = Monday <input type="checkbox"/> 3 = Tuesday <input type="checkbox"/> 4 = Wednesday <input type="checkbox"/> 5 = Thursday <input type="checkbox"/> 6 = Friday <input type="checkbox"/> 7 = Saturday <input type="checkbox"/> 8 = Reserved			
316	SCHEDULE 32 FUNCTION	32		

LOCAL TELEPHONE COMPANY INTERFACE

TELEPHONE CONNECTION REQUIREMENTS

Except for telephone company provided ringers, all connections to the telephone network shall be made through standard plugs and standard telephone company provided jacks or equivalent in such a manner as to allow for immediate disconnection of the terminal equipment. Standard jacks shall be so arranged that if the plug connected thereto is withdrawn, no interference to the operation of the equipment at the customers' premises which remains connected to the telephone network, shall occur by reason of such withdrawal.

INCIDENCE OF HARM

Should terminal equipment or protective circuitry cause harm to the telephone network, the telephone company shall, where practical, notify the customer that temporary discontinuance of service may be required. However, where prior notice is not practical, the telephone company may temporarily discontinue service if such action is deemed reasonable in the circumstances. In the case of such temporary discontinuance, the telephone company shall promptly notify the customer who will be given the opportunity to correct the situation. The customer also has the right to bring a complaint to the FCC if he feels the disconnection is not warranted.

CHANGES IN TELEPHONE COMPANY EQUIPMENT OR FACILITIES

The telephone company may make changes in its communications facilities, equipment, operations, or procedures where such action is reasonably required and proper in its business. Should any such change render the customers terminal equipment incompatible with the telephone company facilities, the customer shall be given adequate notice to make modifications to maintain uninterrupted service.

GENERAL

The FCC prohibits customer provided terminal equipment be connected to party lines.

IMPORTANCE OF THE RINGER EQUIVALENCE NUMBER

The Ringer Equivalence Number (REN) of this device is 0.1B. This number is a representation of the electrical load that it applies to your telephone line.

MALFUNCTION OF THE EQUIPMENT

In the event that the device should fail to operate properly, the customer shall disconnect the equipment from the telephone line to determine if it is the customers equipment that is not functioning properly. If the problem is with the device, the customer shall discontinue use until it is repaired.

EQUIPMENT INFORMATION

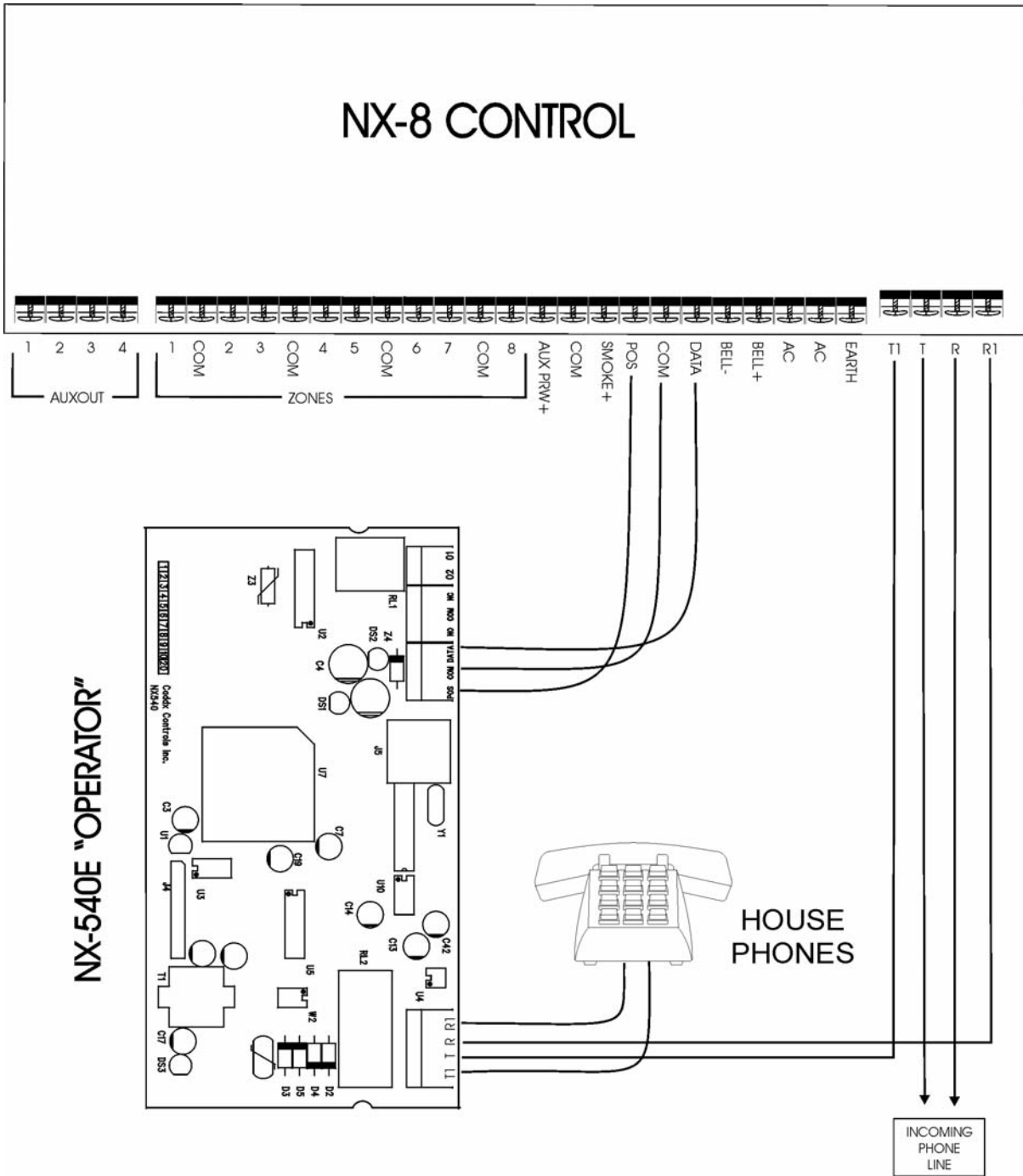
The NetworX NX-540E meets FCC Part 15, Class B verification requirements and FCC Part 68 modification.

MANUFACTURER OF CONNECTING EQUIPMENT: **CADDX CONTROLS, INC.**
FCC REGISTRATION NUMBER: GCQUSA-30138-AL-E, RINGER EQUIVALENCE: 0.1 B

"OPERATOR" TERMINAL DESCRIPTION

TERMINAL	DESCRIPTION	
POS	Connect to the KP POS terminal of the control panel. This terminal supplies power to the NX-540E board.	
COM	Connect to the KP COM terminal of the control panel. This terminal supplies the common side of the power to the NX-540E board.	
DATA	Connect to the KP DATA terminal of the control panel. This is the data-signaling terminal to all the devices on the buss.	
NC	Normally closed dry contact rated 1 Amp at 30 Volts.	Relay follows X-10 Output Function 3.
COM	Common dry contact rated 1 Amp at 30 VDC.	
NO	Normally open dry contact rated 1 Amp at 30 Volts.	
02	Open collector output that switches to GND when activated – capable of up to 100mA. This output follows X-10 Output Function 2. NOTE: If device is connected to output, it must see the transition from 13V to GND. Part # 8915 can be used to connect to output.	
01	Same as above. This output follows X-10 Output Function 1.	
R1	(R1) House Telephone Ring (gray)	
T1	(T1) House Telephone Tip (brown)	
R	Connect to R1 on control panel	
T	Connect to T1 on control panel	

"OPERATOR" TERMINAL DRAWING



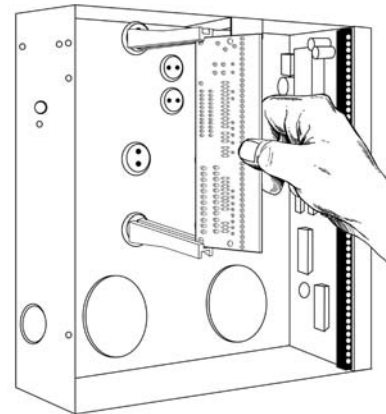
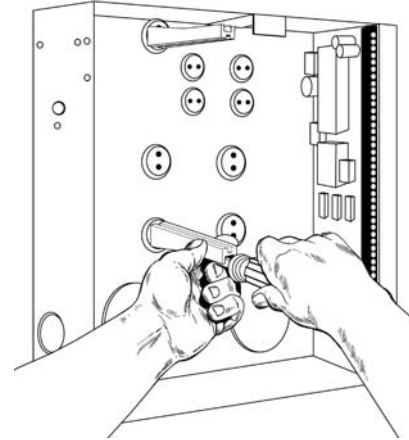
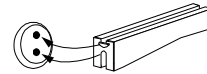
ENCLOSURE DIAGRAM

Inside the can, several 2-holed insertion points have been constructed. This allows for either vertical or horizontal placement of the modules. **Notice that the insertion points have two sizes of holes -- a larger hole and a smaller hole.**

Diagram 1: The black plastic PCB guides are grooved on one edge where the PC Board will be seated. The end with the half-moon protrusion fits into the larger hole. The smaller hole is for the screw.

Diagram 2: Place the *first* black plastic PCB guide in the top insertion point, grooved edge downward. The half-moon protrusion will be in the large hole. It does not require force. Insert one of the provided screws into the smaller hole (from inside the can) to secure it in place. A screwdriver should reach through the notch that runs the length of the guide to tighten the screw. The *second* PCB guide should be positioned opposite of the first (grooved edge up) and placed in the lower insertion point, using the same procedures described above. Once mounted, screw it in securely.

Diagram 3: The PC board should slide freely in the grooves of both guides.



SYSTEM NOTES

SPECIFICATIONS

OPERATING VOLTAGE	(Nominal), 12VDC Supplied by Control Panel
CURRENT	Standby, 55 mA Active, 130 mA
CONTROL OUTPUTS	32 "X-10" Outputs w/Programmable Descriptions
DIMENSIONS	3.5"W X 6"L X 1"H
TELEPHONE REQUIREMENT	TouchTone Telephones Only

(COMPATIBLE WITH NX-6, NX-8, NX-8E CONTROL PANELS)



**1420 NORTH MAIN STREET
GLADEWATER, TEXAS 75647**

Main	800-727-2339	Technical Support	800-727-2339
Outside the US	903-845-6941	Tech Support Fax	903-845-8409
Main Fax	903-845-6811	Sales & Literature	800-547-2556
Web:	www.caddx.com		
	www.ge-security.com		

**NX-540E INSTALLATION MANUAL
NX540EIE04 REV E (May 2004)**