

1. Form: A5 double sided printing
2. Fold to fit in box

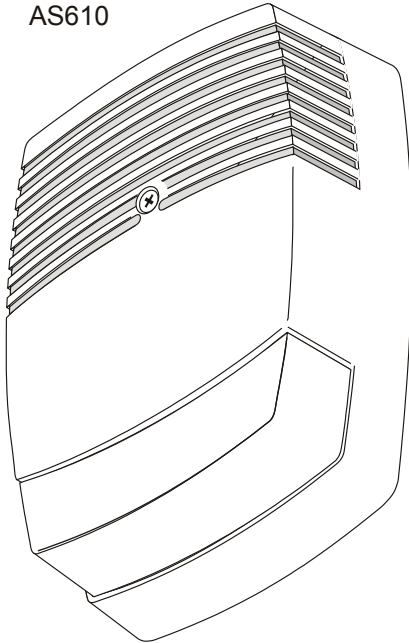
Remark:		White paper: 75 gr/m, progresso; overprint black.		Rev.	Date:	Modif. no.
				1	A	17-04-'01
				1	B	18-03-'03 11102
Scale:	Proj.Am	AS610-AS630 Installation Sheet	144989999-3	1	C	17-04-'03 11235
				2	C	15-12-'09
				3	A	15-12-'10
				C		14-12-'12
Name:	Mikhail Sleptsov	Date:	14-12-2012	Supers:		
Size: A4	Property of:	UTC Fire & Security		Sh. :	110-01	

# AS610/AS630 Outdoor Siren Installation Sheet

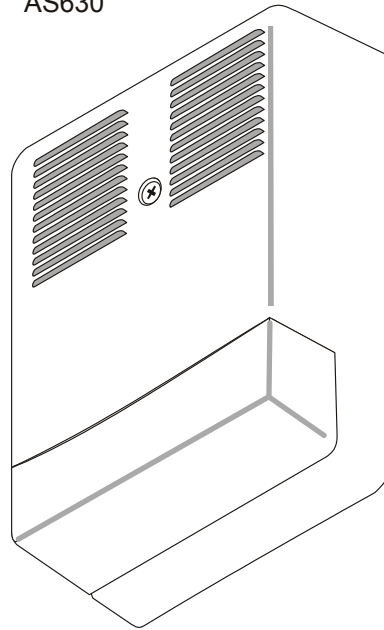
EN

1

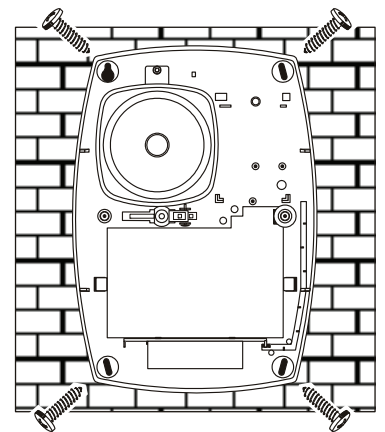
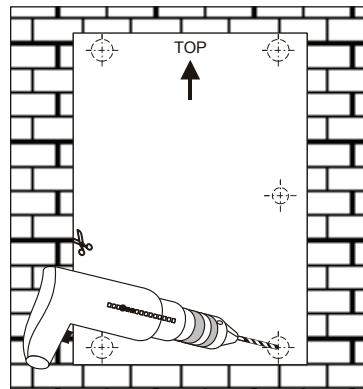
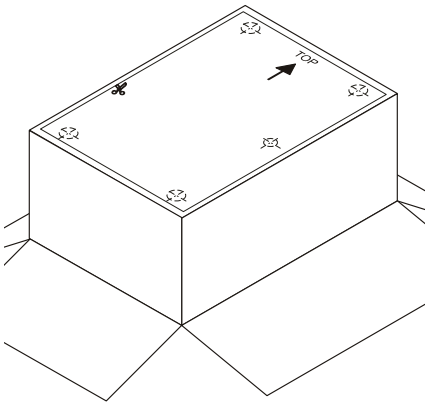
AS610

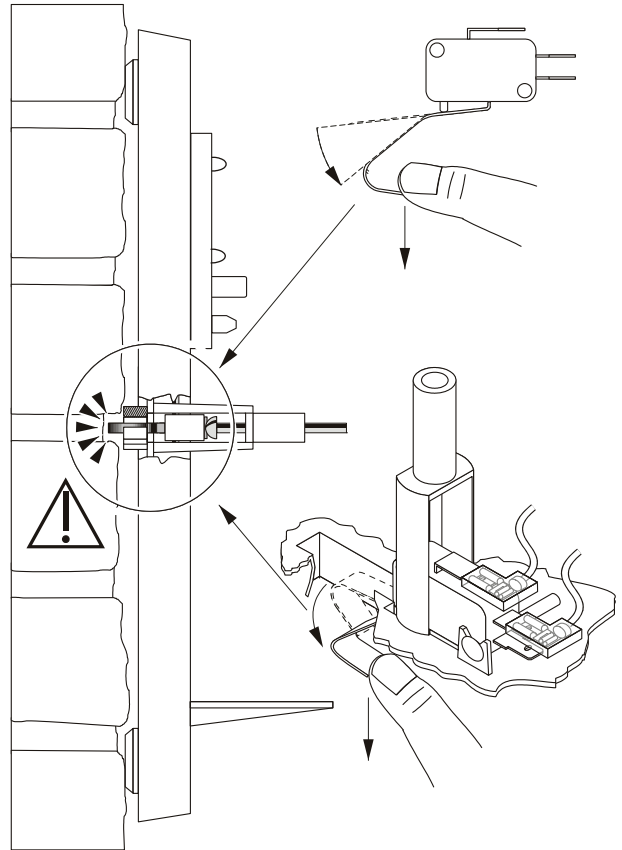
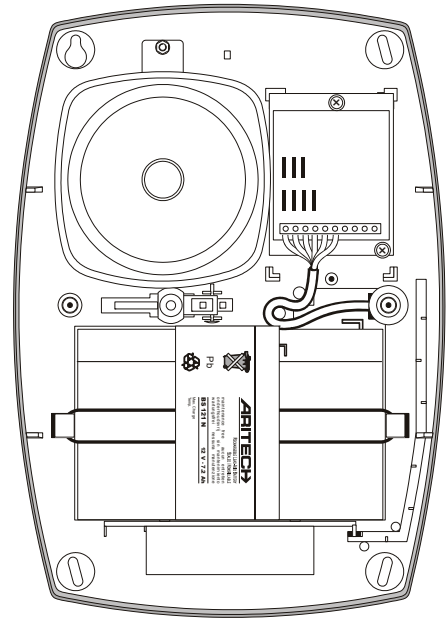
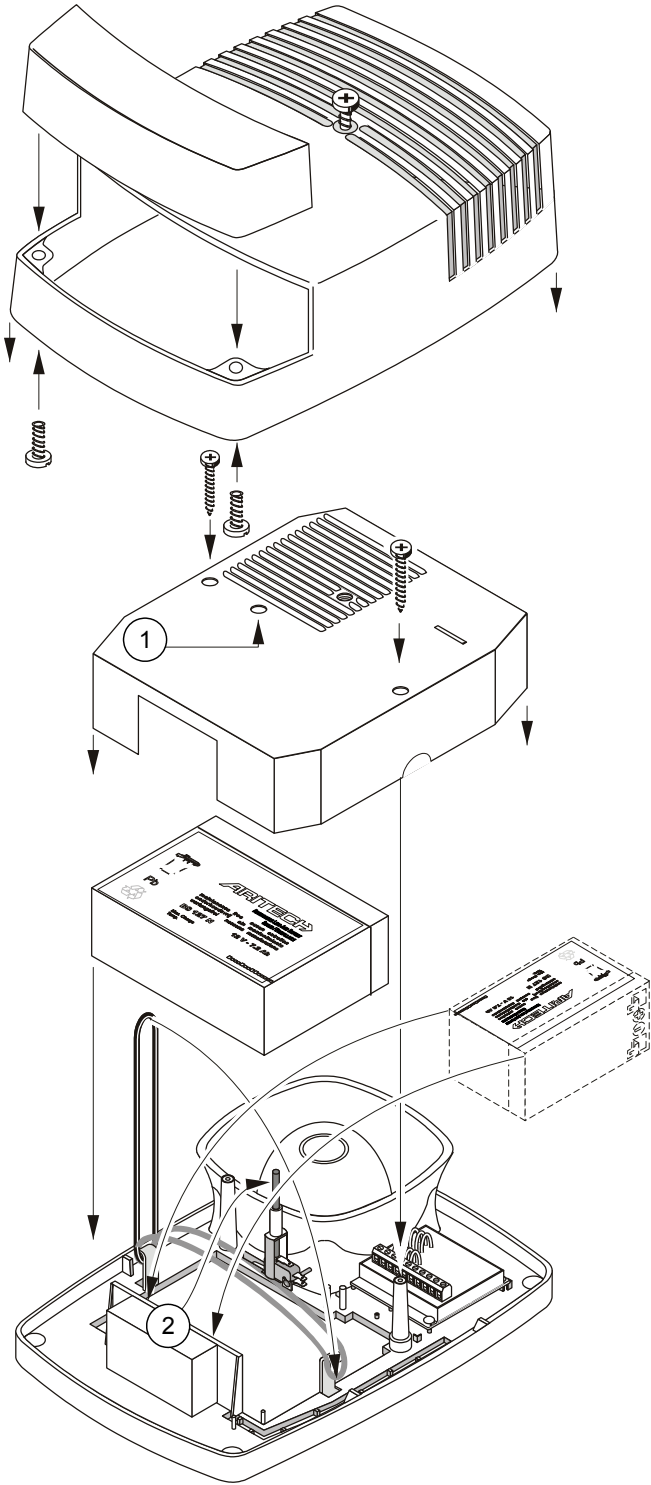


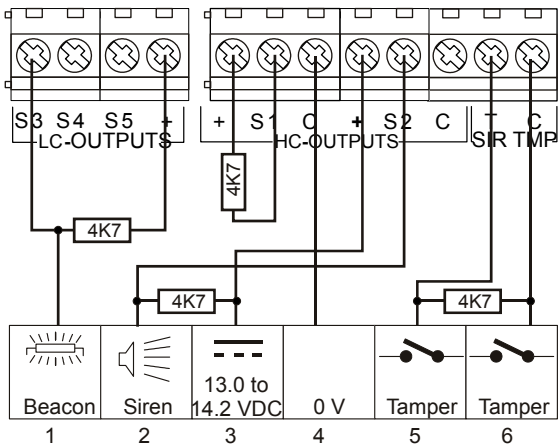
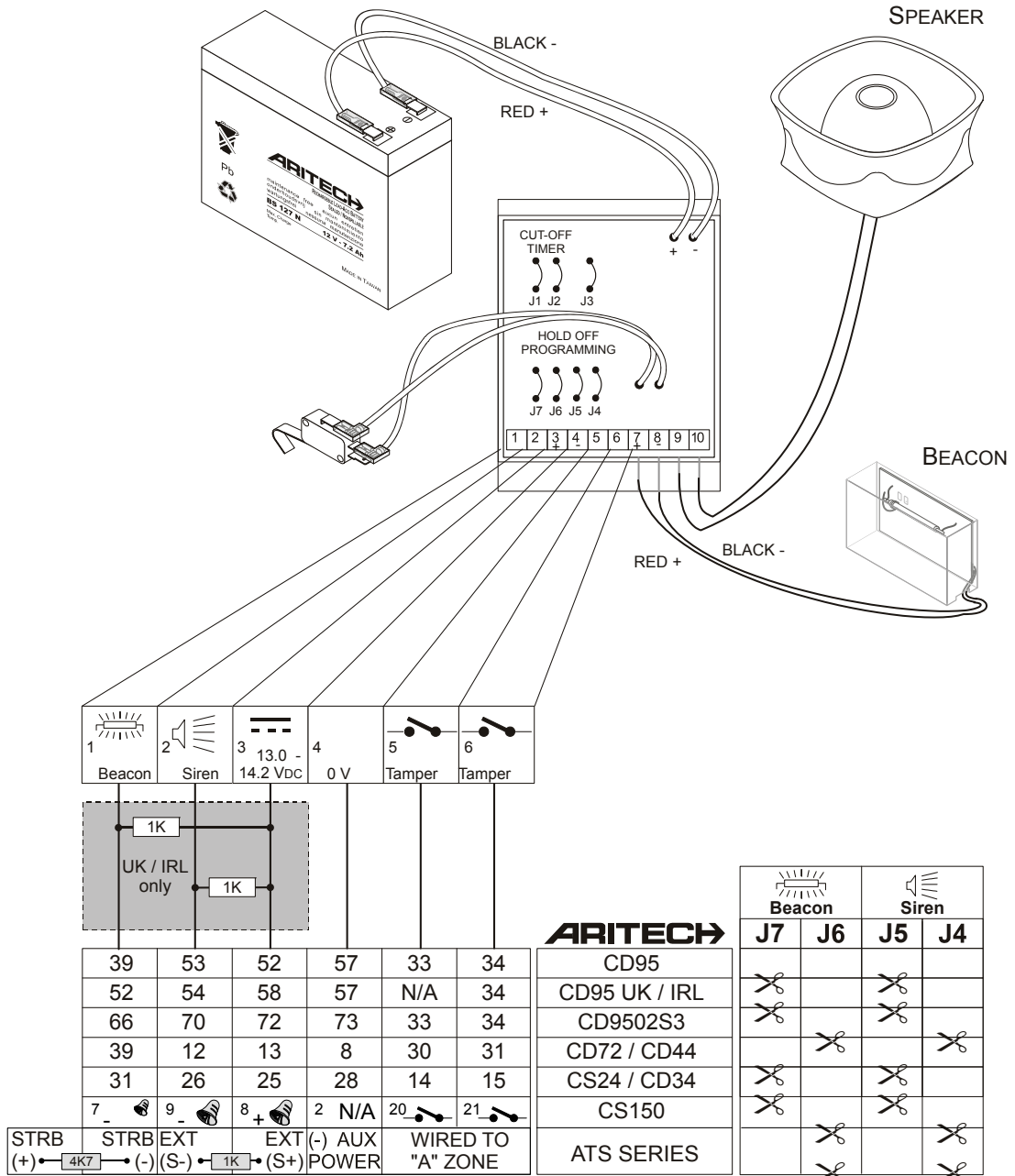
AS630



2







## EN: Installation Sheet

### Description

AS61x series is a high quality installer-friendly self activating outdoor siren with a sound output of 120 dB at 1 metre and a single beacon, which meet today's security and environmental requirements. The housing is made of tough UV proof and impact resistant 3.5 mm polycarbonate and has a foam-resistant steel inner cover for the ultimate in protection.

AS630 is a high quality installer-friendly self activating outdoor siren with a sound output of 120 dB at 1 metre and a single amber beacon, which meet today's security and environmental requirements. The cover is made of highly polished stainless steel and has a foam-resistant steel inner cover for the ultimate in protection.

## Wiring procedure

First, wire the control panel (power down) to the siren as shown above, before connecting the battery. When the battery is connected for the first time, the siren will give a short beep. The siren cannot be activated until all inputs (input power and hold-off voltages) are correct. The siren will be activated if the input power is removed or drops significantly or if the siren hold-off voltage is removed.

Siren cut-off time is controlled by J1 and J2.

For use without a battery, cut jumper J3.

**Note:** J3 is not available in the AS619 but the AS619 can be used with or without battery.

Figure 7 shows an example connection between the siren and an Advisor Advanced control panel.

**WARNING:** The beacon uses high voltage. To avoid personal injury or death from electrocution, do not touch bare wires and beacon electronics before the energy discharges.

**Table 1: Timer programming**

J1	J2	Time (min)	J1	J2	Time (min)
Default		3		✗	10
✗		5	✗	✗	20

**Table 2: Hold-off programming**

Siren			Beacon		
J4	J5	Terminal 2	J6	J7	Terminal 1
Default		Floating	Default		Floating
	✗	12 V or floating		✗	12 V or floating
✗		0 V or floating	✗		0 V or floating

## Specifications

Supply [1]	13.0 to 14.2 V <sub>DC</sub>
Standby current	25 mA (closed line)
Operating current	0.6 A
Sound output [2]	118 dB at 1 m; 109 dB at 3 m
Frequency	1.8 to 2.8 kHz
Cut off timer	Preset at 3 min, adjustable 5, 10, 20 min
Working temperature	-25 to +70°C (without battery) EN 50131: -25 to +55°C (without battery) 0 to +40°C (with battery)
Relative humidity	EN 50131: 93% max.
Weight	2.5 kg
Dimensions	305 x 220 x 87 mm
Recommended battery	BS127 or BS121
<b>Beacon</b>	
Supply	13.8 V <sub>DC</sub>
Operating current	110 mA
Light output	100.000 peak lumens
Life time	1.000.000 flashes
Flash rate	1 Hz
Spike suppression network	Standard fitted


[1] To be connected to an external current limited power supply (advised 5 A)

[2] Sound output for AS619: 85 dB at 3 m

When on the AS619, the siren hold off voltage is removed the siren output is activated in a one minute on — one minute off sequence.

## Regulatory information

Manufacturer UTC Fire & Security Americas Corporation, Inc.  
1275 Red Fox Rd., Arden Hills, MN 55112-6943, USA  
Authorized EU manufacturing representative:  
UTC Fire & Security B.V.  
Kelvinstraat 7, 6003 DH Weert, Netherlands

Certification 

EN The AS610, AS619 and AS630 are EN 50131-4 Security grade 3, Environmental class III. All mounting screws have to be fitted as that they form a part of the tamper device.

Tested and certified by the Norwegian testing and certification body DNV.

The AS610, AS619 and AS630 are certified for EN 50131-4 only if used without a battery.



2002/96/EC (WEEE directive): Products marked with this symbol cannot be disposed of as unsorted municipal waste in the European Union. For proper recycling, return this product to your local supplier upon the purchase of equivalent new equipment, or dispose of it at designated collection points. For more information see: [www.recyclethis.info](http://www.recyclethis.info).

## Contact information

[www.utcfireandsecurity.com](http://www.utcfireandsecurity.com) or [www.interlogix.com](http://www.interlogix.com).

For customer support, see [www.utcfssecurityproducts.eu](http://www.utcfssecurityproducts.eu)