

# Kit 4 x UAC-B112-F28-W 2 MP ColorHunter HD Fixed Mini Bullet Analog Camera



## Introduction

UAC-B112-F28/F40-W is a 2MP ColourHunter HD Fixed Mini Bullet Analog Camera with a high-performance 1/3-inch CMOS sensor. It supports TVI/AHD/CVI/CVBS, which effectively enhances product adaptability and diversity of networking solutions. With SYV-75-3 or other coaxial cable types the camera can achieve low-cost, long-distance, anti-interference, and low delay mega-pixel HD video transmission. The camera supports 24/7 full-color imaging.

## Features

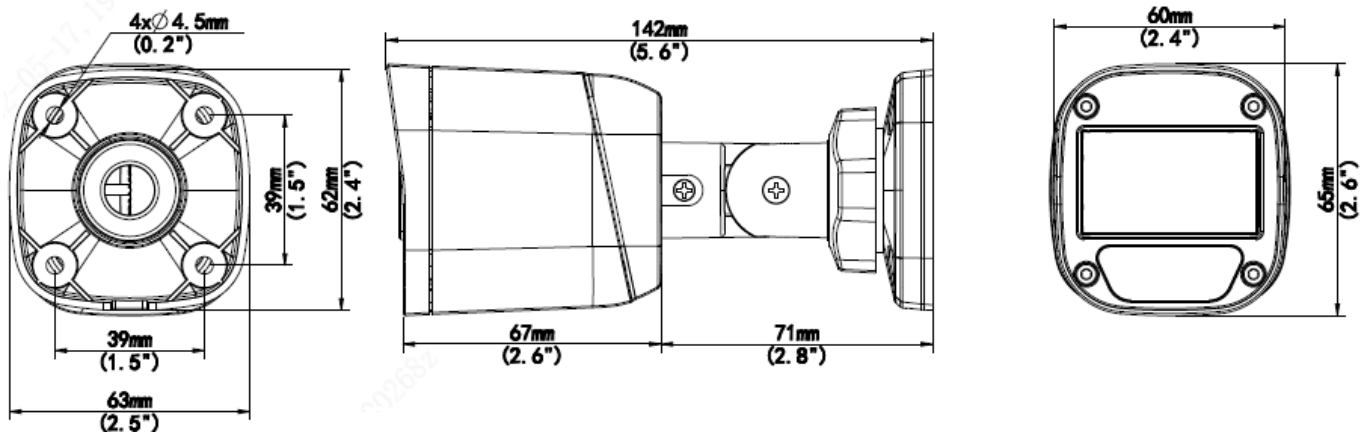
- 2MP high quality image
- TVI/AHD/CVI/CVBS
- Supports white light illumination, 24/7 full-color imaging
- Supports 180° horizontal flip, 180° vertical flip
- OSD configuration menu, easy to operate
- IP67 waterproof and dustproof design, high reliability
- OSD configuration menu in 11 languages

## Specifications

Model	UAC-B112-F28-W	UAC-B112-F40-W
<b>Sensor</b>		
Pixel	2MP	
Size	1/3"	
Minimum illumination	0.02 lux (F1.6, AGC ON) 0.00 lux (white light on)	
<b>Lens</b>		
Lens	2.8mm	4.0mm
Lens mount	M12	
Angle of view	H: 100.9° V: 56.5° D: 121.8°	H: 82.5° V: 42.1° D: 98.6°
<b>Illuminator</b>		
Illuminator	One white-light illuminator	
Illumination distance	20m	
Lifetime	≥60,000 hours	
<b>Video</b>		
Resolution	1080P: 1920(H)×1080(V) 720P: 1280(H) ×720(V)	
Frame rate	TVI/AHD/CVI: 1080P@30fps, 1080P@25fps; 720P@30fps, 720P@25fps CVBS: PAL, NTSC	
Shutter time	PAL: 1/25s-1/50000s NTSC: 1/30s-1/50000s	
<b>Image</b>		
Exposure mode	4 modes: Global (default), BLC, HLC, DWDR	
Day/Night	24/7 full-color imaging	
Digital noise reduction	2D/3D	
White balance	Two modes: Auto (default), Manual	
WDR	DWDR	
Flip	Supports 180° horizontal flip, 180° vertical flip	
<b>Interface</b>		
Power	5.5mm power interface	
Video output	BNC, supports TVI/AHD/CVI/CVBS	
<b>Operating environment</b>		
Temperature	-30°C to 60°C (-22°F to 140°F)	
Humidity	≤95% (RH, non-condensing)	
Surge protection	4KV	
Ingress protection	IP67	
<b>General</b>		
Power	DC 12V(±25%), with reverse polarity protection and surge protection, Max 2.4W	
Mount	3D bracket supplied, surface mount (default), optional backbox, pole mount bracket	
Dimensions	142mm*63mm*65mm (L*W*H)	
Material	Plastic	
Weight	145g(0.32lb)	

Certification	CB, CE, FCC
---------------	-------------

## Dimensions



UAC-B112-F28/F40-W

## Ordering Information

Model	Remarks
UAC-B112-F28-W	2MP ColourHunter HD Fixed Mini Bullet Analog Camera (2.8mm fixed-focal lens, DC12V)-Overseas version, power adapter sold separately
UAC-B112-F40-W	2MP ColourHunter HD Fixed Mini Bullet Analog Camera (4.0mm fixed-focal lens, DC12V)-Overseas version, power adapter sold separately

Accessory Model	Image	Remarks
TR-JB05-A-IN		Bullet camera backbox (supports rear cabling, square)-97.5mm*93mm*43.1mm, sold separately
TR-UP06-B-IN		Bullet camera pole-mount bracket (white)-bullet camera-sheet metal, sold separately
TR-JB07-D-IN		Bullet camera backbox (supports rear cabling)--125mm*125mm*57mm, sold separately

### Zhejiang Uniview Technologies Co., Ltd.

Building No.10, Wanlun Science Park, Jiangling Road 88, Binjiang District, Hangzhou, Zhejiang, China (310051)

Email: [overseasbusiness@uniview.com](mailto:overseasbusiness@uniview.com); [globalsupport@uniview.com](mailto:globalsupport@uniview.com)

<http://www.uniview.com>

©2022 Zhejiang Uniview Technologies Co., Ltd. All rights reserved.

\*Product specifications and availability are subject to change without notice.