

ANS25MD*2 / ANS50MD*2 / ANS100MD*2 VOICE EVACUATION INTERFACE SYSTEM INSTALLATION INSTRUCTIONS

The ANS25MD*2 / ANS50MD*2 / ANS100MD*2 is a self contained amplifier, tone generator, digital message repeater and supervisory interface. It is designed to be used in conjunction with a UL listed Fire Alarm Control Panel (FACP) to provide a Listed Voice Evacuation Alarm System.

The FACP provides all initiating circuitry and a signaling circuit to the ANS25MD*2 / ANS50MD*2 / ANS100MD*2. The ANS25MD*2 / ANS50MD*2 / ANS100MD*2 provides its own internal supervision as well as supervision for its speaker lines. Any fault is reported back to the FACP. In normal standby the supervisory circuit from the panel is connected to a matching EOLR. Should the ANS25MD*2 / ANS50MD*2 / ANS100MD*2 suffer an internal failure or should there be any fault on the speaker line a contact would open and the FACP would report it as an open fault for that circuit.

The ANS25MD*2 / ANS50MD*2 / ANS100MD*2 is designed to be powered from 120 VAC at 60 Hz. The ANS25MD*2 will provide 25W to the speaker circuit. The ANS50MD*2 will provide 50W. The ANS100MD*2 will provide 100W. Speakers may be 25 or 70 Vrms (jumper selected, 25V is factory set). **Note:** Models may be supplied with transformers wired for 240 VAC for those regions where this is required. Please refer to Ratings section for Primary Power differences

MODELS: The ANS25AMD*2 / ANS50AMD*2 / ANS100AMD*2 are complete Voice Evacuation Modules. ANS25A / ANS50A / ANS100A are complete modules with built-in tone generators capable of operating as a stand-alone Voice Evacuation Systems with only tone and microphone amplification. They are not equipped with power transformers or cabinets. The ANS25MD*2 / 25X / 50MD*2 / 50A / 100MD*2 / 100A are complete Voice Evacuation Panels. The ANS50A / 100A are capable of operating as slave amplifiers when connected to the ANS100AMD*2 which supplies source audio to the slaves. Different Model numbers are derived from the amplifier sizes used together: These multiple amplifier configurations are factory setup and pre-wired. When using any ANS25A / ANS50A / ANS100A refer to installation instructions P/N ANS-5002. (** in Model Number refers to cabinet color, G = Gray, R = Red*)

MODELS: The ANS25 / ANS100 amplifiers are tested compliant with UL 464 520 Hz Low Frequency Signal for Sleeping Areas with the following speakers: **Edwards Series:** G4HF and GCHF

INSTALLATION: Installer must ensure that all wiring and devices installed in system meet the following standards:

- National Electrical Code (NFPA 70)
- NFPA Standard 72
- Life Safety Code (NFPA 101)

Install equipment in a clean, dry environment, avoid installation where equipment could be subjected to vibration. Remove electronic assemblies from the enclosure prior to any drilling or punching of the enclosure. Where possible, make all cable entries from the rear or sides. Before making any modifications to the enclosure, be certain that they will not interfere with assemblies or batteries

Install equipment adjacent to FACP or FACP Annunciator to ensure proper reporting and display of system Fault conditions..

WIRING (Refer to wiring and terminal designation diagrams)

1. Connect speaker lines to TB1 - 5(+) & 6(-), observe polarity and ensure all speakers are connected likewise. For Class "A" (Style "Z") the returns are TB1 - 7(-) & 8(+).
2. Ensure that the microphone is attached to connector P2. If Microphone is not installed ensure that switch SN1 - 8 is in the OFF position.
3. Attach the appropriate EOLR for the FACP to TB3 - 3 & 4 and TB3 - 5 & 6. The TB3 term 5 & 6 value must be placed at the end of the speaker line as well. You must use EOLR value as specified in the FACP Manufacturer's installation instructions for the indicating appliance circuit. Note: if your system includes one or more ANSZM4B2A zone modules, the FACP EOLR is relocated. See ANSZM4B2A install instructions P/N ANS-5022. All accessory cards such as the ANSZM4B2A, ANSSW8, ANSDC8 or ANSXM8 must be mounted within the same cabinet or if mounted in a separate cabinet, be in the same room with all wiring run in conduit.
4. Connect FACP signaling circuit to TB1 - 3(+) & 4(-), Alarm Polarity (alarm polarity is shown).
5. Connect 120 VAC, 60 Hz, power to the black and white pigtail leads from transformer primary. Secure ground lead to grounding stud in cabinet.
6. Once power is on to the unit, connect battery wiring harness, Red (+) / Black (-). **Observe polarity.** Minimum battery size is 24V 7Ah. Maximum battery size is 18Ah on ANS25MD*2 / ANS50MD*2 and 24Ah on ANS100MD*2. (use two (2) 12V batteries connected in series, see typical installation diagram). If the unit does not have its own batteries and relies on an external power supply with battery back-up, ensure that switch SN1 - 7 is in the OFF position. **NOTE:** Wiring for batteries is Non Power-Limited. Care must be taken to ensure that all Power-Limited wiring maintain a minimum spacing of 1/4" from any Non Power-Limited wiring. If batteries must be located in separate enclosure, it must be in the same room with a separate conduit run for battery wiring only.

Once all power and circuits are connected, the Green LED will remain on to indicate that the ANS25MD*2 / ANS50MD*2 / ANS100MD*2 is fully operational and all circuits are nominal.



ANS25MD*2 / ANS50MD*2 / ANS100MD*2 TERMINAL DESIGNATIONS

TB1:

- TER 1 & 2** - Power Input 24-32V AC/DC (NOTE 1, 4)
- TER 3 & 4** - FACP Signal Circuit Input - 10mA max. (Alarm Polarity shown) (NOTE 1, 4)
- TER 5 & 6** - 25/70 Vrms Speaker Loop Style Y/Z (Class "A"/"B" start) (NOTE 2, 4)
- TER 7 & 8** - 25/70 Vrms Speaker Loop Style Z (Class "A" return) (NOTE 2, 4)

TB3:

- TER 1 & 2** (NOTE 1, 4)
Optional FACP Supervisory Circuit
(See installation instructions page 5 diagram 2 for details (32V - 0.4A max.)). Factory set for none - J1 (Installed)
Contact Ratings: 1A @30VDC
Connect to Resistive Load, Class II Power or Power Limited Sources Only. Interconnected Equipment Must be in Same Room and Mounted Within 20'.

TER 3 & 4

FACP Signal/Supervisory Circuit EOLR

TER 5 & 6

Matching EOLR for speaker supervisory circuit

TER 7 (NOTE 1, 3, 5)

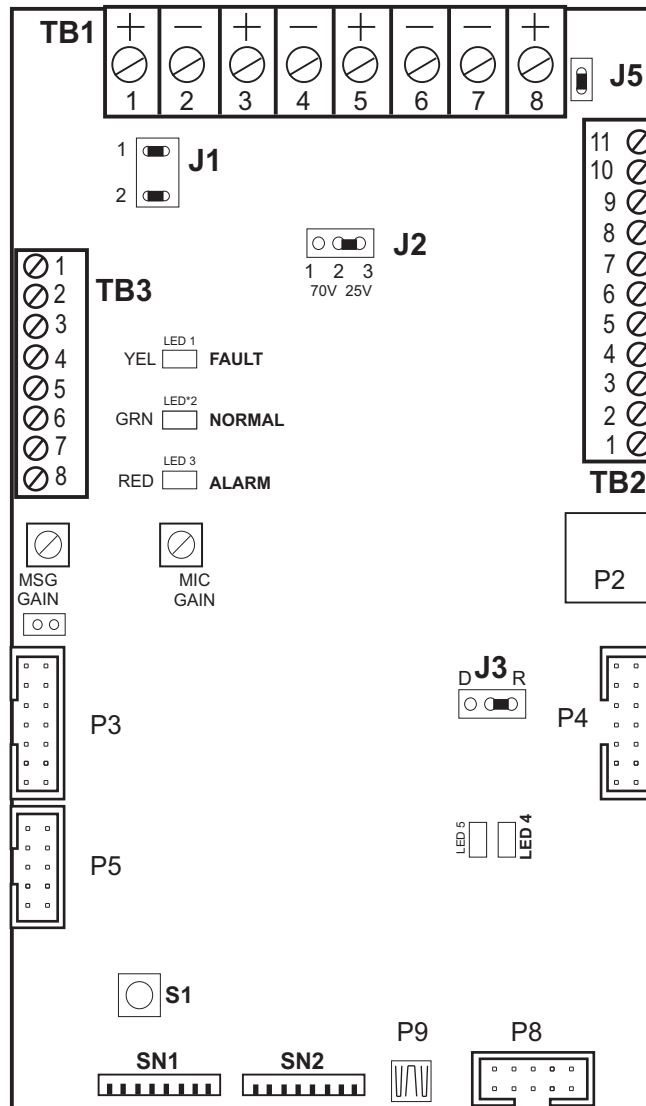
General purpose output (pulls to circuit neg on fault condition 32V - 0.2A max). Not for Fire Protective Signaling use.

TER 8 (NOTE 1, 3, 5)

Trouble input +24 VDC 5mA

NOTES:

- 1 - Intended for connection to Listed Class 2 / Class 3 (Power Limited) sources only.
- 2 - Power Limited
- 3 - Non-Supervised
- 4 - Supervised
- 5 - Terminating equipment must be installed in same room as ANS25MD*2 / ANS50MD*2 / ANS100MD*2



Field wiring connections:

- #6-32 wire clamp screw 14-18 AWG
- #8-32 wire clamp screw 12-18 AWG
- Horizontal wire entry terminal 18-26 AWG
- Wire gauge determined by circuit load

TB2:

- TER 1** - Circuit Neg
- TER 2** (NOTE 1, 3)
Aux Audio Input (0.5V nominal) (1VRMS - 1mA max.)
- TER 3** (NOTE 1, 3, 5)
PreAmp In/Out (600 Ohm 0dBm)
- TER 4** (NOTE 1, 3, 5)
Master - Programmable +24VDC Active
Slave - +24VDC Input
- TER 5** (NOTE 1, 3, 5)
Signal Active
Master - Out / Slave - In
- TER 6** (NOTE 1, 3)
Aux Audio Enable (+24V)(32V - 5mA max.)
- TER 7** (NOTE 1, 3)
Aux Signal Activate (+24V) (32V - 5mA max.)
- TER 8** (NOTE 2, 3, 5)
Common Alarm Voltage +24V condition (0.1A)
- TER 9** (NOTE 2, 3)
Common Int V+ (+24V) disconnected in alarm condition (0.1A)
- TER 10** (NOTE 2, 3)
V+ (+24V 0.1A)
- TER 11** (NOTE 5)
Mic PTT (+24V 0.1A)

FACTORY DEFAULT SWITCH / JUMPER SETTINGS:

SN1

- 1 = OFF 25V
- 2 = OFF | Do Not Use
- 3 = OFF | Do Not Use
- 4 = OFF Normal Op
- 5 = OFF Do Not Use
- 6 = OFF No AC Fault Delay
- 7 = ON Battery connected
- 8 = ON Mic connected

SN2

- 1 = OFF | 2 Cycles
- 2 = ON | Temporal Tone
- 3 = OFF Std. Evac Message
- 4 = OFF Std. Evac Tone
- 5 = OFF Do Not Use
- 6 = ON Message On
- 7 = OFF | 3 Message
- 8 = ON | Repeats

J1 A/B

1 - 2 = SHORT

J2

25 VRMS 2 - 3 = SHORT
70 VRMS 1 - 2 = SHORT
To change output voltage move shorting block.

J3

2 - 3 = SHORT R
Shorting block must be in the R position

J5

1 - 2 SHORT = Ground Fault Enable

P3 / 4: 14 Pin Connector
Connection to Expander Modules

P5: 10 Pin Connector
HMX connection

P8: I2C
10 Pin Connector
ANS-ZM4B2A/SW8/DC8/XM8



OPTIONS:

AUX +24VDC OUTPUT - TB2-4, 8, 9 & 10

These terminals provide a max. 200 mA of regulated 24VDC power for auxiliary functions. Do not exceed 200 mA load combined on these terminals. For connection to Listed General Signal devices only (Non-Fire Protective Signaling applications). Terminal 4 activation is programmed in the system configuration. Standard configuration is programmed for TB2-4 to go active +24VDC under these conditions: Aux Signal Active, Aux Audio Enable and Bell Circuit Active. Reprogramming of these functions must be done at the factory and require updating the system configuration.

CONNECTION OF AN AUX AUDIO SOURCE - TB2-1 & 2

An aux audio source from additional paging equipment may be connected to the ANS25MD*2 /ANS50MD*2 / ANS100MD*2 to augment an existing paging system. It is not intended for continuous signal input, but may be used for paging applications. For such an operation the Aux Audio Enable input, TB2-6, must be powered from Int V+, TB2-9. This is to ensure that in the event of an alarm, the aux audio will not override the evacuation signal. See Wiring Diagram 5 for connection detail.

OPTIONAL SUPERVISORY CIRCUIT - TB3-1 & 2

In place of normal supervision via the signaling circuit, an alternate method may be employed using any supervisory circuit from the FACP. Connection would be made to Terminal Block 3, Ter. 1 and 2. This would provide a normally closed connection to the EOLR on Ter. 3 and 4. The relay contact in the circuit will open upon any trouble condition and report an open circuit trouble to the FACP. **NOTE**, jumper shorting blocks A and B must be removed from **J1** if a circuit is to be connected in this manner. See Optional Supervisory Circuit Application (Wiring Diagram 2) for connection detail.

OPERATION

In normal standby the Green LED will remain on.

In alarm condition the Red LED will remain on as long as the unit is in alarm. Green LED will modulate with the audio level.

Default Factory Alarm Sequence settings: (Alarm Tone - 2 cycles Temporal Whoop, Message On - 3 Repeats)

Alarm Tone / Digital Message plays / Alarm Tone / Digital Message plays / Alarm Tone / Digital Message plays / unit reverts to Alarm Tone until alarm condition is cleared. If the Mic is keyed it will override both the tone and the message so a direct broadcast may be made. If this occurs during the initial sequence the digital message will be reset and will not repeat. When the Mic is keyed or when the message is played the Green LED will dim. The intensity of the Green LED will vary with the level of the broadcast audio. Under a fault condition, the Yellow LED will remain on. The Green LED will flash. The number of flashes display a code depending on the specific type of fault. When there is a fault condition the contact connecting the FACP signal circuit to the EOLR will open indicating the fault to the panel which will provide annunciation. During a ground fault condition, Yellow LED 4 will illuminate.

ELECTRICAL RATINGS:

	ANS25AMD2 / 25A	ANS50AMD2 / 50A	ANS100AMD2 / 100A
Primary Input Voltage	120 Vac @ 60 Hz	120 Vac @ 60 Hz	120 Vac @ 60 Hz
Primary Input Current	0.8 A @ 120 Vac	0.5 A @ 120 Vac	1.4 A @ 120 Vac
*Battery Input Current Standby	0.18 A / 1.1 A	0.15 A / 1.0 A	0.16 A / 1.1 A
Battery Input Current Alarm	1.1 A / 2.5 A	0.8 A / 1.1A	0.6 A / 2.0 A
Output power	25 Watt	50 Watt	100 Watt
Freq. Response	800 - 2800 Hz	400 - 4000 Hz	400 - 4000 Hz
Output Voltage	25 / 70 Vrms Selectable	25 / 70 Vrms Selectable	25 / 70 Vrms Selectable
Battery Charging Current	800mA	800mA	800mA
Minimum Battery Size	24V 7 AH	24V 7 AH	24V 7 AH
Maximum Battery Size	24V 18 AH	24V 18 AH	24V 24 AH
Battery Type	(2) 12V Gel Cell (in Series)	(2) 12V Gel Cell (in Series)	(2) 12V Gel Cell (in Series)

For units wired with 240 VAC Transformers the following ratings apply:

	ANS25AMD2 / 25A	ANS50AMD2 / 50A	ANS100AMD2 / 100A
Primary Input Voltage	240 Vac @ 50 Hz	240 Vac @ 50 Hz	240 Vac @ 50 Hz
Primary Input Current	0.4 A @ 240 Vac	0.27 A @ 240 Vac	0.53 A @ 240 Vac

Battery Standby Operating Time: 24 - 72 Hours standby, 15 Minutes in Alarm

72 Hour standby is only recommended for ANS100/100A Amplifiers with 24 Ahr. batteries. Installer must ensure that Battery Standby current does not exceed 0.25A in order to ensure reliable operation.

Output Protection: Power Limited, Open and Short Circuit protected

*Battery input current measurements are determined by test conditions. Two values are shown. First value reflects the unit with a full speaker load and no auxiliary load. Second value reflects the unit with a full speaker load and a full auxiliary load of 0.5A. Your actual load will vary depending on which and how many auxiliary devices, ie...Zone Splitter, Remote Mic, Relays,...etc., are used. ensure that any current draw from an aux device is added into your final battery calculation.

Input current measurements are determined by test conditions under UL 1711. Sine represents measurements made while the unit produces a continuous non-distorted sine wave of 1 KHz into the rated load of 25 / 50 / 100W at rated output voltage. Alarm is the average current the unit experiences delivering an alarm signal, Temporal Whoop, to the rated load. Standby is the current draw of the unit with all normal power on and aux., terminals fully loaded. Battery Standby is current draw from the batteries on loss of power and otherwise normal standby.

TESTING

Per NFPA 72 Chapter 7, 100% system test is required, at a minimum, annually. Additional testing may be required by the Local Jurisdiction.



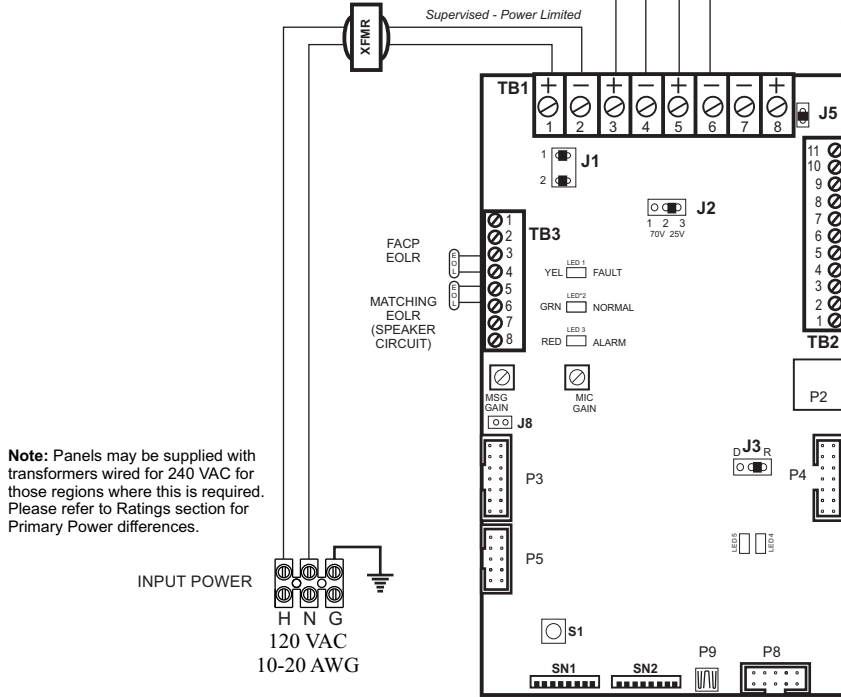
ANS25MD*2 / ANS50MD*2 / ANS100MD*2

TYPICAL INSTALLATION

FIRE ALARM CONTROL PANEL



Standard Life Safety Speakers, Strobes connected and powered separately. Break wire to maintain supervision. Do not loop wire around speaker terminals. Ground faults are indicated at 10K impedance or less.



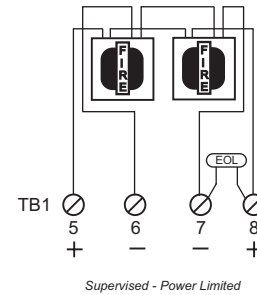
Note: Panels may be supplied with transformers wired for 240 VAC for those regions where this is required. Please refer to Ratings section for Primary Power differences.

INPUT POWER
H N G
120 VAC
10-20 AWG

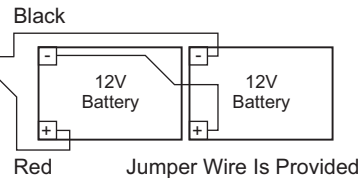
Field wiring connections:
#6-32 wire clamp screw 14-18 AWG
#8-32 wire clamp screw 12-18 AWG
Horizontal wire entry terminal 18-26 AWG
Wire gauge determined by circuit load

Battery Wire Harness
Supervised - Non Power Limited

CLASS "A" (Style "Z") WIRING

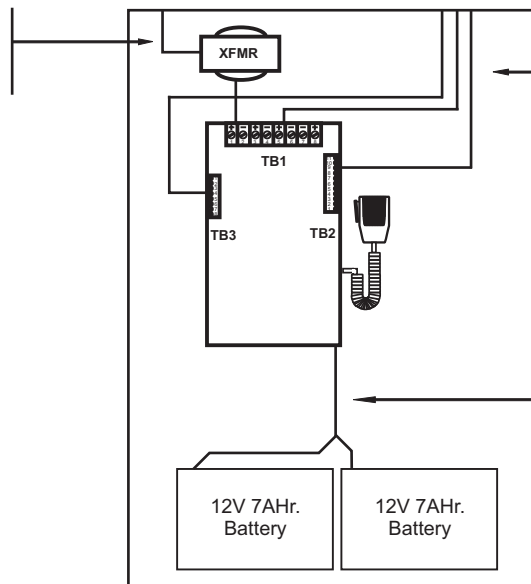


CAUTION:
Break wire to maintain supervision.
Do not loop wire around speaker terminals.



ANS25MD*2 / ANS50MD*2 / ANS100MD*2 CABINET LAYOUT

Input Power connection is Non-Power Limited. **DO NOT** route any Power Limited wiring within 1/4" of Input cabling.



ALL wiring from terminal blocks is Power Limited. Use K.O. at top or side of cabinet for wire routing.

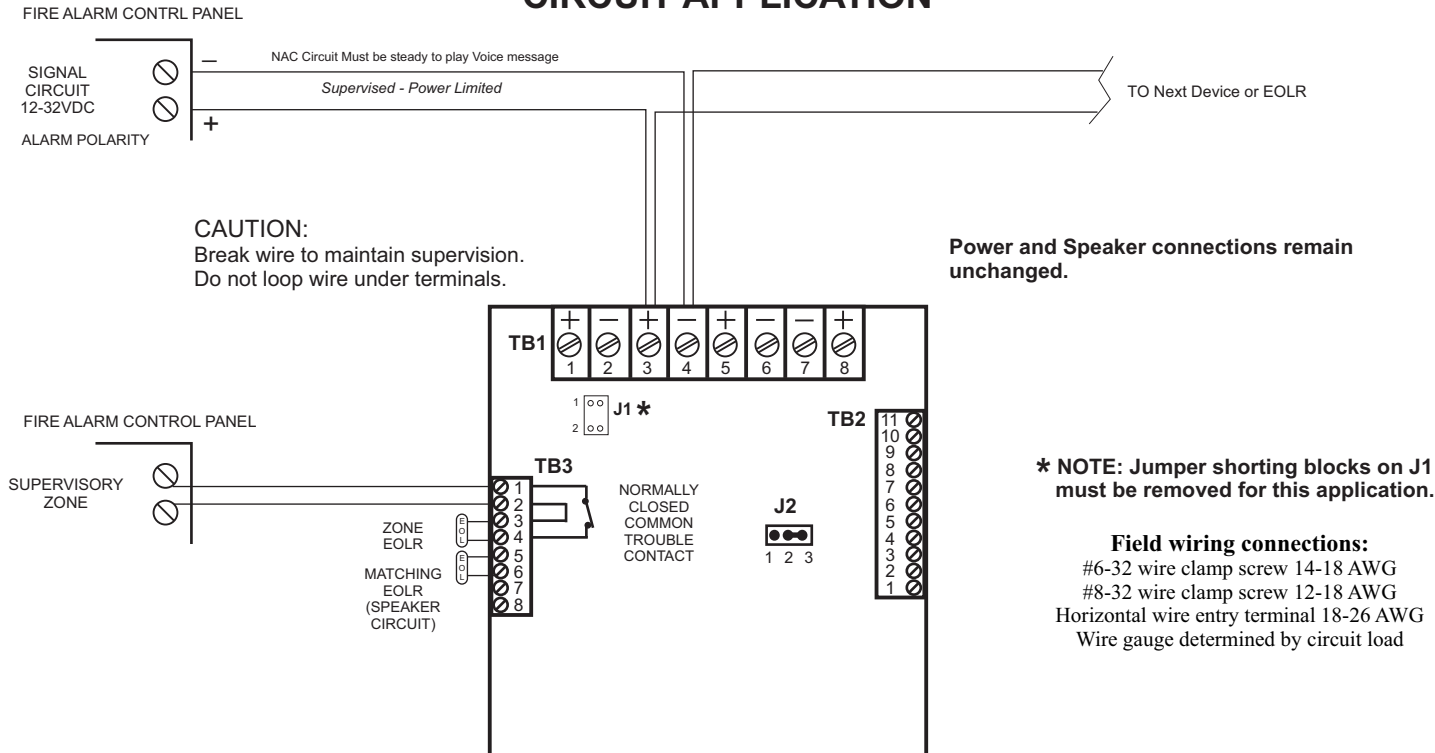
Battery cabling is Non-Power Limited. **DO NOT** route any Power Limited wiring within 1/4" of Input cabling.



ANS25MD*2 / ANS50MD*2 / ANS100MD*2

WIRING DIAGRAM 2

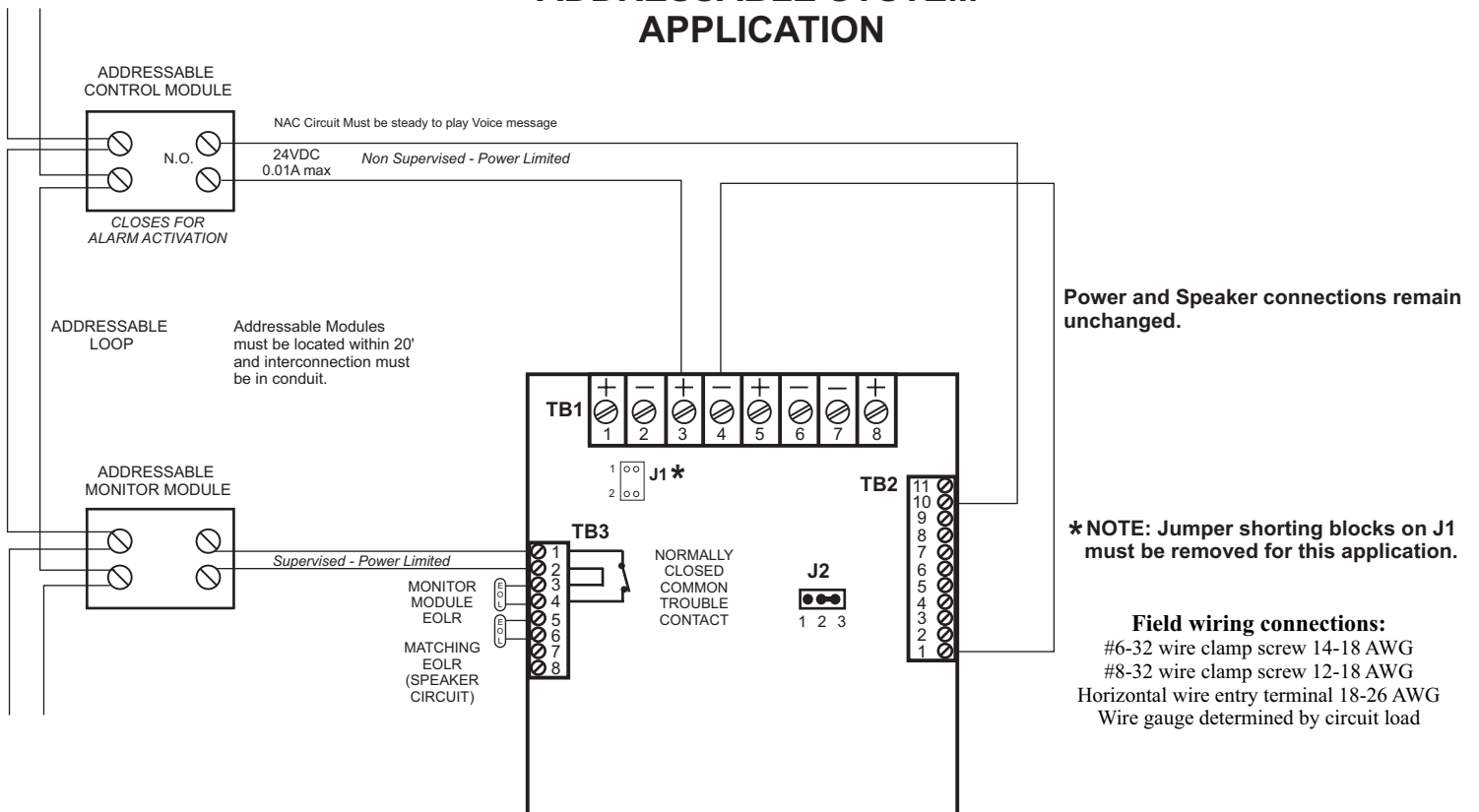
OPTIONAL SUPERVISORY CIRCUIT APPLICATION



ANS25MD*2 / ANS50MD*2 / ANS100MD*2

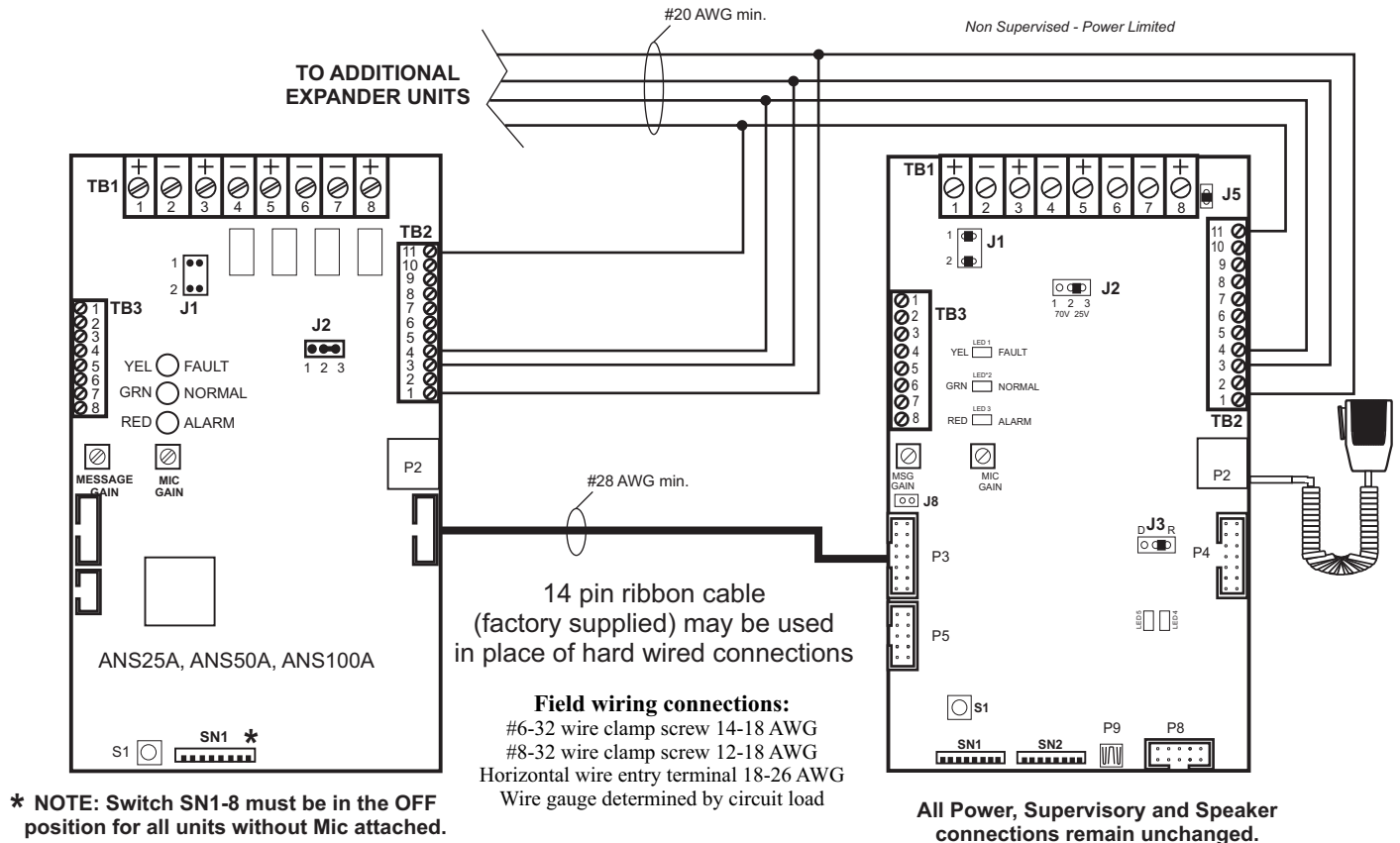
WIRING DIAGRAM 3

ADDRESSABLE SYSTEM APPLICATION



ANS25MD*2 / ANS50MD*2 / ANS100MD*2 MULTIPLE UNIT CONNECTION DETAIL

WIRING DIAGRAM 4

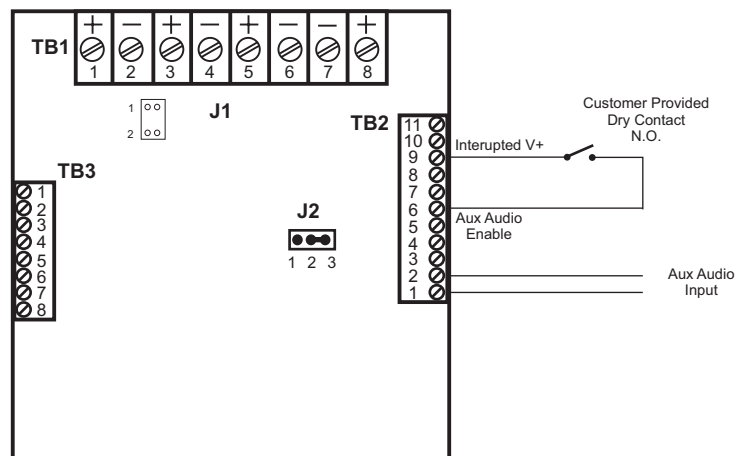


**NOTE: Maximum number of units to be cascaded is 15.
All units are to be mounted in the same cabinet or within the same room with all connecting wires run in conduit.**

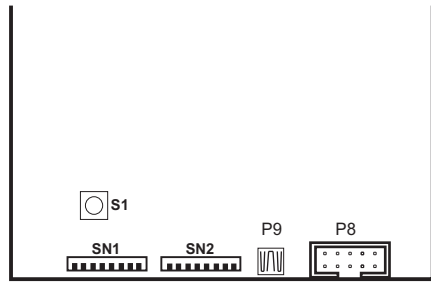
ANS25MD*2 / ANS50MD*2 / ANS100MD*2 AUX AUDIO ENABLE CONNECTION DETAIL

WIRING DIAGRAM 5

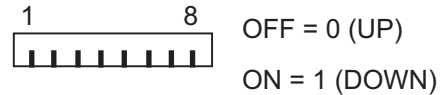
Field wiring connections:
#6-32 wire clamp screw 14-18 AWG
#8-32 wire clamp screw 12-18 AWG
Horizontal wire entry terminal 18-26 AWG
Wire gauge determined by circuit load



ANS25MD*2 / ANS50MD*2 / ANS100MD*2 SWITCH SETTINGS



Switch Network Detail



SN1 Default = 0/0/0/0/0/1/1

SW 1 Sets the output voltage.
2 Settings: **0 25V**
1 70V

SW 2 / 3 / 5 Do Not Use

SW 4 Enables Fault Code and Walk Test Message.
2 Settings **0 Normal Op**
1 Fault Code/Test Msg.

SN1-4 has a dual function. From Normal Standby, putting this switch in the ON position will automatically generate a Flash Code for the last Fault condition that the unit experienced. This can be cleared out by depressing the Reset Switch. With the Last Fault cleared, SN1-4 in the ON position will now enable the Walk Test Message to play when the unit is put into an Alarm condition.

Please Note: In Walk Test mode a steady Yellow Fault LED is active and a Fault condition is reported to the FACP.

SW 6 AC power failure report delay.
2 Settings: **0 No delay**
1 3 hour delay

SW 7 Batteries.
2 Settings: 0 Batteries are not connected
1 Batteries are connected

SW 8 Microphone.
2 Settings: 0 Microphone is not connected
1 Microphone is connected

SN2 Default = 0/1/0/0/0/1/0/1

SW 1/2 Sets the number of cycles that the Temporal tone plays before and in between repeats of the message.

4 Settings: 0/0 No delay
1/0 4.5 second delay (1 Temporal cycle)
0/1 9 second delay (2 Temporal cycles)
1/1 13.5 second delay (3 Temporal cycles)

SW 3 Selects which Evac message plays.
2 Settings: **0 Standard Evac message**
1 Std. Evac message w/o elevators

SW 4 Selects which Evac tone plays.
2 Settings: **0 Standard Temporal Whoop**
1 Optional Temporal 520 LoFreq Signal

SW 5 Do Not Use

SW 6 Sets the message play.
2 Settings: 0 Message off
1 Message on

SW 7/8 Sets the number of times the message plays.
4 Settings: 0/0 1 play
1/0 2 plays
0/1 3 plays
1/1 Continuous plays

Note: Default settings comply with UL 864 AND NFPA 72 operational requirements. Before changing any settings, verify compliance with Local Authority having Jurisdiction.

ANS25MD*2 / ANS50MD*2 / ANS100MD*2 TROUBLE CODES

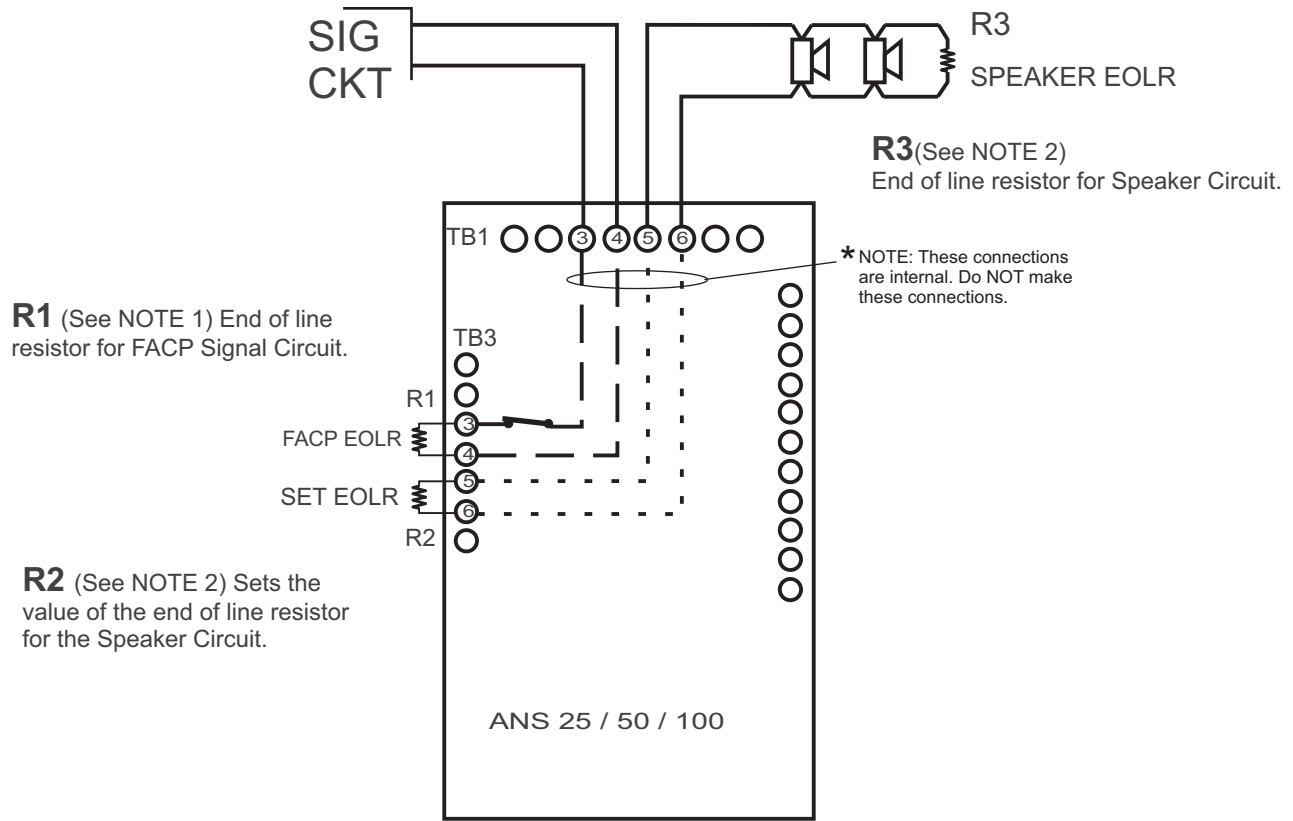
When a unit goes into a Trouble Condition, the Yellow LED will remain on until the trouble is cleared. The Green LED will flash a Code to indicate the type of Trouble Condition. There will be a pause between repeats of the code. When multiple Trouble Conditions occur at the same time, the codes will add together. The number of flashes and associated Trouble Condition are listed below.

<u>Code</u>	<u>Trouble</u>	<u>Code</u>	<u>Trouble</u>
1	Power Failure	8	Amplifier Trouble
2	Open Speaker Circuit	16	Microphone Trouble
4	Shorted Speaker Circuit	32	Battery Trouble
*6	External Trouble / Ground Fault		

* 6 flashes typically indicates "External Trouble", such as an ANS-RM. If LED 4 is on, the 6 flash indicates a ground fault. If both a ground fault condition and an external trouble occur simultaneously, the fault codes will **not** combine for 12 flash.



ANS25MD*2 / ANS50MD*2 / ANS100MD*2
END OF LINE RESISTORS



NOTE 1: If the Fire Alarm Signal Circuit requires a 4.7K end-of-line resistor, then R1 must be a 4.7K. Normally, this resistor is connected to the Signal Circuit through a closed Common Trouble contact. When the ANS 25/50/100 goes into Trouble, the contact opens, producing an "Open" on that Signal Circuit and notifying the FACP.

NOTE 2: R2 and R3 must match each other. R2 "Sets" what the value of R3 needs to be. R2 tells the ANS 25/50/100 what to expect on the end of the Speaker Circuit. If a Speaker EOLR (R3) already exists, simply match that value for R2.

The value for R2 may vary from 1.0K to 100K Ohms depending on the value used by a connecting FACP for supervision. Speaker circuit will indicate a Fault any time the impedance of the circuit changes by 50% of the Set EOLR value.

For contact information, see www.edwardsfiresafety.com.
 © 2015 Walter Kidde Portable Equipment, Inc.
 All rights reserved.

