

XVR-G3 Series



Key Features

- Support H.265/H.264 video formats
- Support audio over coaxial cable
- Support TVI, AHD, CVI, CVBS, IP cameras with adaptive access
- 4/8-channel BNC input
- Support 1-ch HDMI output, 1-ch VGA output at up to 1920*1080
- Long transmission distance over coax cable
- Supports mainstream cameras of ONVIF and RTSP protocols

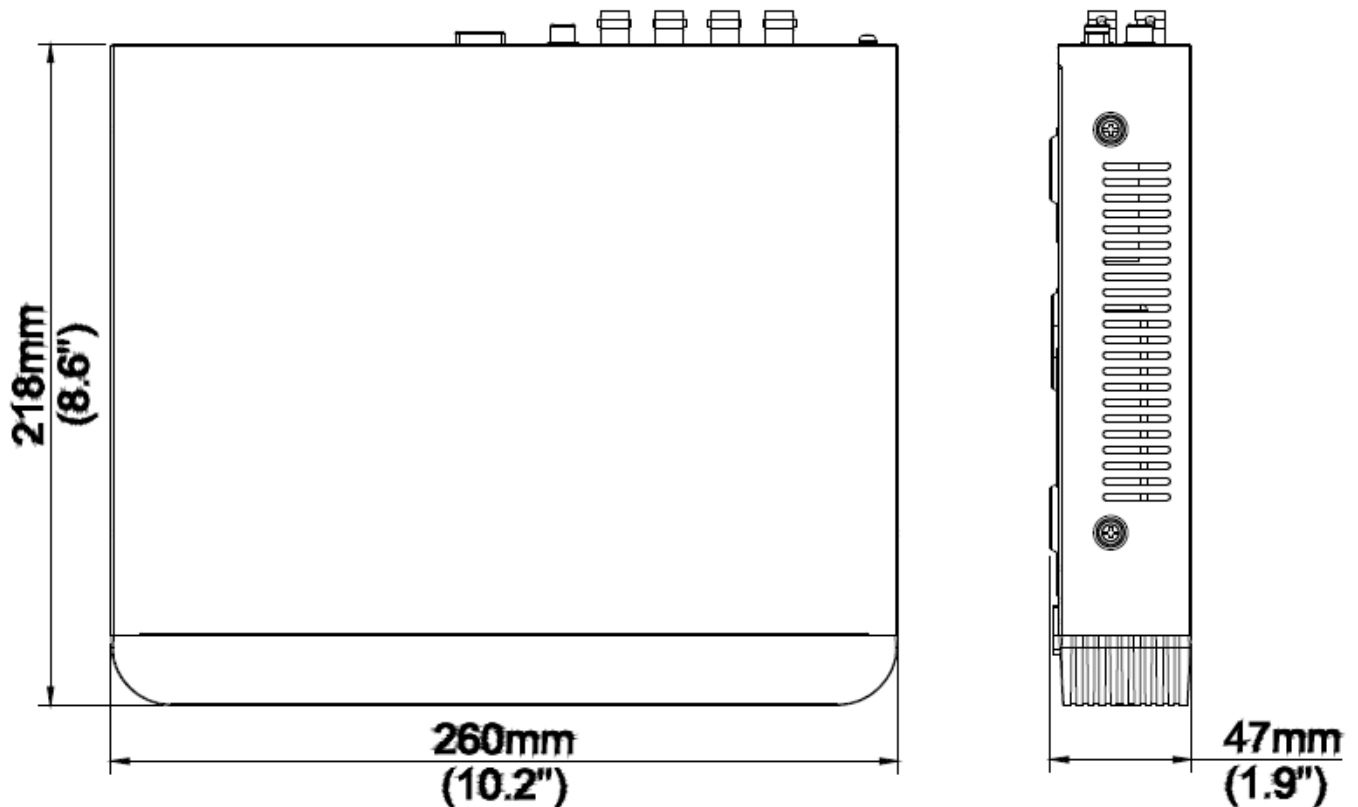
Specifications

Model	XVR-104G3	XVR-108G3
Video/Audio Input		
Analog Video Input	4-ch, BNC	8-ch, BNC
IP Video Input	2-ch(only IP up to 6ch), each channel up to 4MP	4-ch(only IP up to 8ch), each channel up to 4MP
Supported Analog Camera Types	Support AHD input: 5MP@20fps 4MP@30fps 1080P@30fps 720P@60fps Support TVI input: 5MP@20fps 4MP@30fps 1080P@30fps 720P@60fps Support CVI input: 5MP@20fps 4MP@30fps 1080P@30fps 720P@30fps	Support AHD input: 5MP@12fps 4MP@15fps 1080P@30fps 720P@30fps Support TVI input: 5MP@12fps 4MP@15fps 1080P@30fps 720P@30fps Support CVI input: 1080P@30fps 720P@30fps Support CVBS input

	Support CVBS input			
Audio Input	1-ch, RCA			
Audio Compression	G.711U			
Network				
Incoming Bandwidth	16Mbps (Up to 24Mbps after all analog channel conversion)		32Mbps (Up to 40Mbps after all analog channel conversion)	
Outgoing Bandwidth	48Mbps		64Mbps	
Remote Users	128			
Protocols	TCP/IP, P2P, UPnP, DHCP, HTTP, HTTPS, DNS, DDNS, SMTP			
Browser	IE10/11 for Windows			
Video/Audio Output				
VGA Output	1920x1080/60Hz, 1920x1080/50Hz, 1600x1200/60Hz, 1280x1024/60Hz, 1280x720/60Hz, 1024x768/60Hz			
HDMI Output	1920x1080/60Hz, 1920x1080/50Hz, 1600x1200/60Hz, 1280x1024/60Hz, 1280x720/60Hz, 1024x768/60Hz			
Audio Output	1-ch, RCA			
Synchronous Playback	HD:2-ch SD:4-ch		HD:4-ch SD:8-ch	
Live view display	HDMI/VGA: 1/4/6/8/9		HDMI/VGA: 1/4/6/8/9/10/16	
Two-way Audio	1-ch, RCA		1-ch, RCA	
Encoding				
Recording Resolution	5MP Lite/4MP Lite/1080P/720P/CIF		5MP Lite/4MP Lite /1080P/1080P Lite/720P/CIF	
Recording Frame Rate	Main stream:	Sub stream:	Main stream:	Sub stream:
	5MP Lite@12fps	D1@12fps	5MP Lite@6fps	D1@6fps
	4MP Lite@15fps	D1@15fps	4MP Lite@8fps	D1@8fps
	1080P@15fps	D1@15fps	1080P Lite@12fps	D1@12fps
	720P@25fps	D1@25fps	720P@12fps	D1@12fps
Audio Sample Rate	8KHz,16 bit per channel			
Audio Bit Rate	64Kbps per channel			
Decoding				
Capability	Analog: 2 x 5MP Lite@12, 2 x 4MP Lite@15, 2 x 1080P@15 IP: 1 x 4MP@30, 2 x 1080P@30		Analog: 4 x 5MP Lite@6, 4 x 4MP Lite@8, 4 x 1080P Lite @12fps IP: 1 x 4MP@30, 2 x 1080P@30	
Hard Disk				
SATA	1 SATA interface			
Capacity	Up to 8TB for each HDD (The maximum HDD capacity varies with environment temperature)			
General Alarm				
General Alarm	By analog camera: Motion detection By IP Camera: Motion detection/Face detection			
Alert Alarm	IP Conflict, Network Disconnected, Disk offline, Disk Abnormal, Illegal Access			

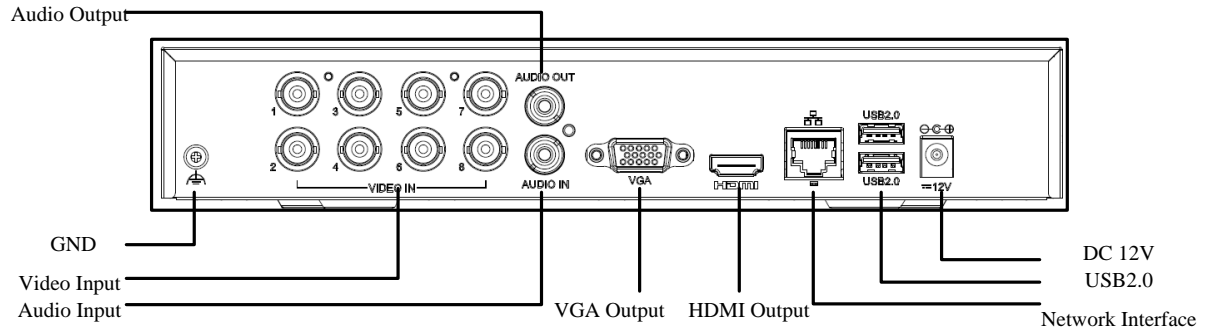
External Interface	
Network Interface	1RJ45 10M/100M self-adaptive Ethernet Interface
USB Interface	Rear panel:2 x USB2.0
General	
Power Supply	12V DC Power Consumption: ≤ 8 W(without HDD)
Working Environment	$-10^{\circ}\text{C} \sim +55^{\circ}\text{C}$ ($+14^{\circ}\text{F} \sim +131^{\circ}\text{F}$), Humidity $\leq 90\%$ RH(non-condensing)
Dimensions(WxDxH)	260mm \times 218mm \times 47mm (10.2" \times 8.6" \times 1.9")
Weight (without HDD)	≤ 1.1 Kg (2.42lb)
Certification	
Certification	FCC/CE/LCD

Dimensions



Rear Panel

Take XVR-108G3 for example



www.uniview.com/uniarch

©2022 Zhejiang Uniview Technologies Co., Ltd. All rights reserved.

*Product specifications and availability are subject to change without notice.