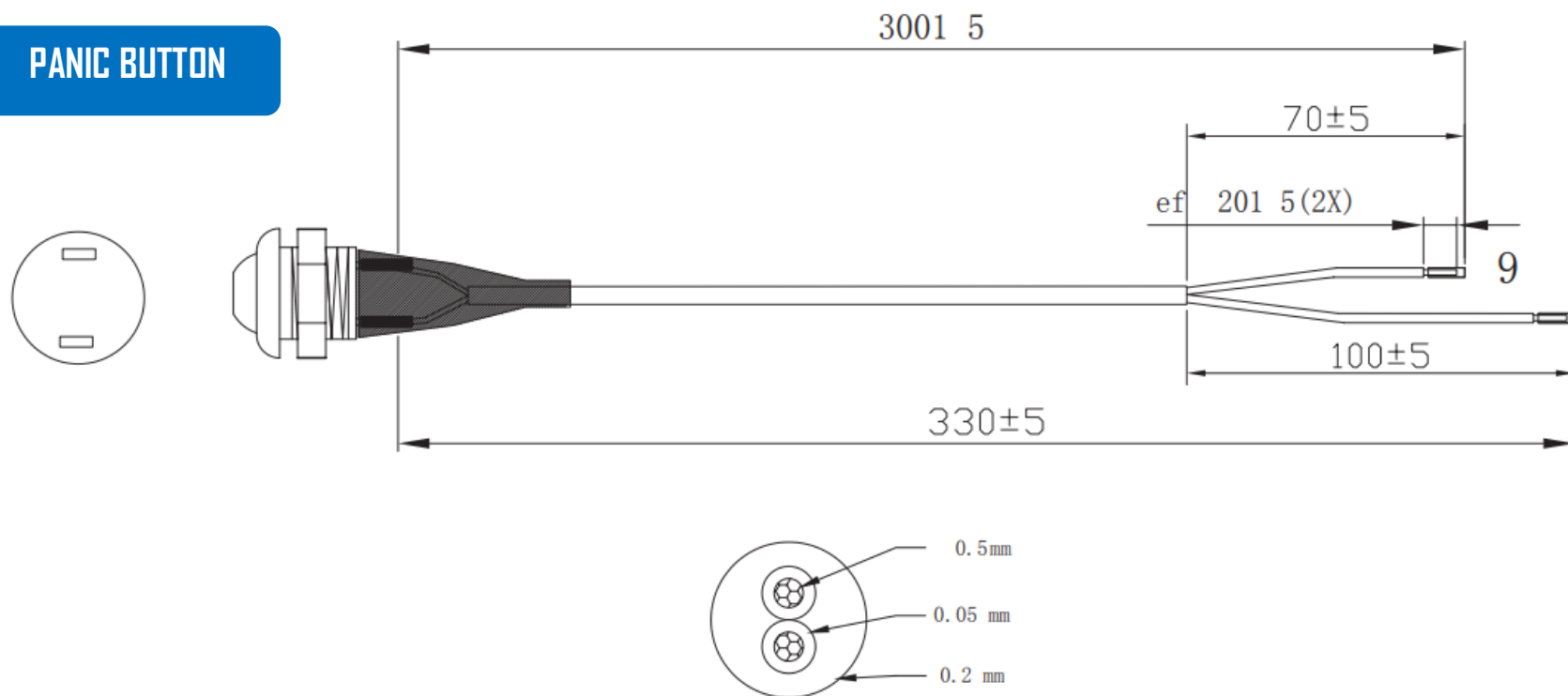




PANIC BUTTON



1. (20AWG*2C)*1C, PVC, OD: 5.01 0.2 mm, ANT-CEIEC

2. PB12-2-M-RX-N