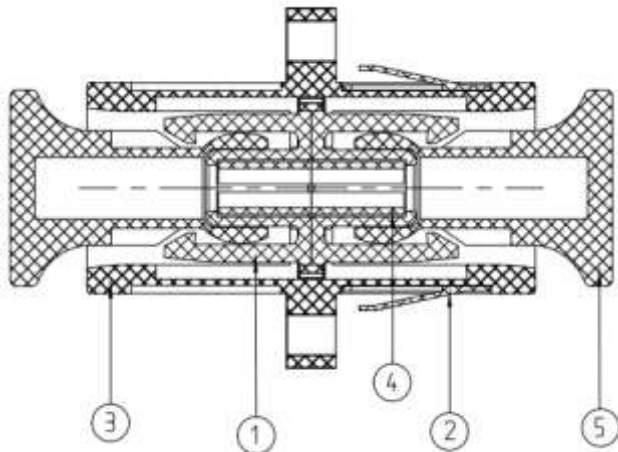
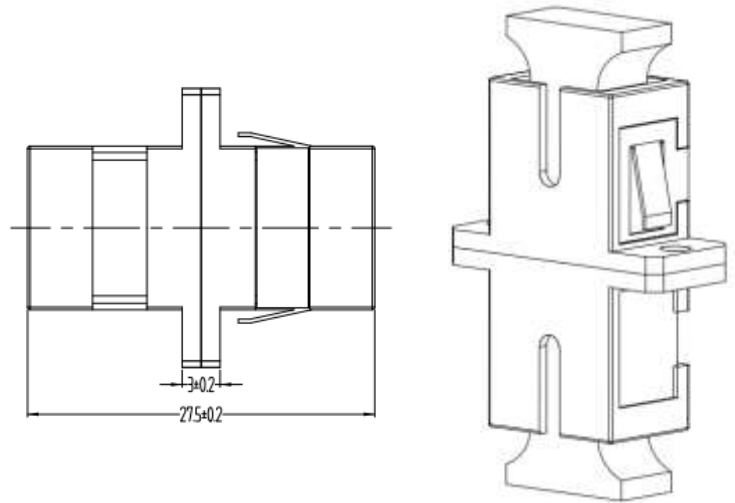


MODELO	ENS-SCSCSM
DESCRIPCION	MODULO ACOPLADOR DE FIBRA OPTICA ENSON ENS-SCSCSM SIMPLEX SC APC A SC APC

## SPECIFICATION

Insertion Loss	Typical	0.1dB
	Maximum	0.3dB
Durability	< 0.20dB typical change, 1000matings	
Sleeve pull force	0.2-0.6Kg	
Operating Temp. Range	-40°C ~+ 70°C	



⑤	Cap
④	Sleeve
③	Housing
②	Metal Ring
①	Inner Frame

### Note:

1. Insertion Loss SC ≤ 0.3dB @ 1310nm/1550nm
2. Test standard: gr-326-CORE
3. Test report have to match the serial No
4. ROHS Compliant
5. SC connector according to IEC61754-4

