

# AX-M320-ZL

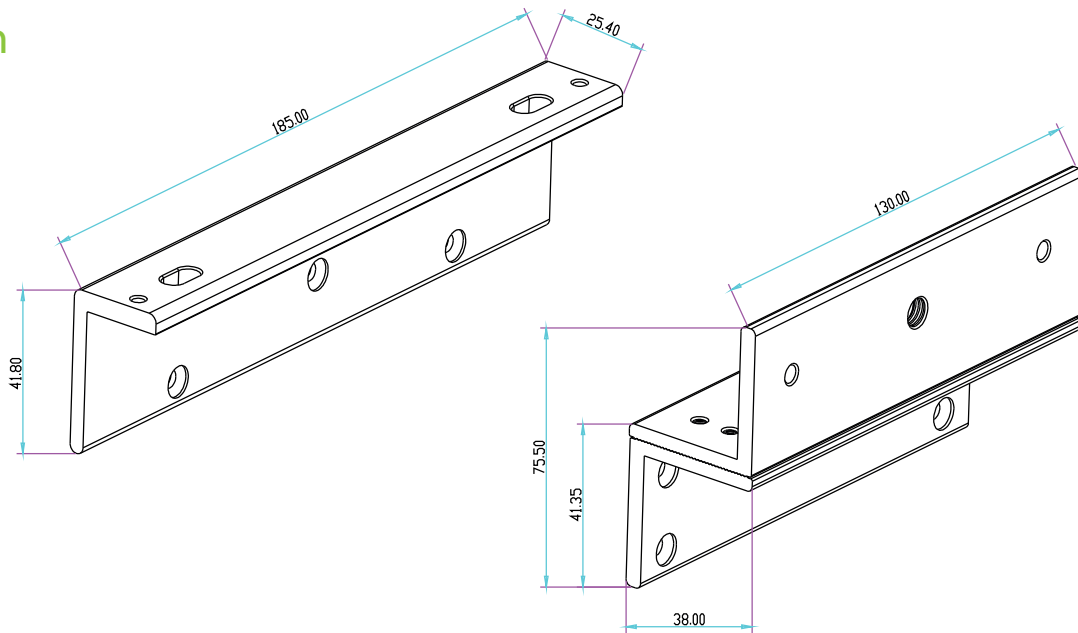
## ZL Bracket for Inward Door

### ► Specification

Model	AX-M320-ZL
Size(unit:mm)	170Lx40Wx29H
Suitable For	In-swing wooden door, narrow door frame door, metal door
Weight	0.38kg

Este accesorio es ideal para electroimanes de 350 libras de fuerza (158kg), compatible únicamente con los electroimanes y contras de la familia AX-M320.

### ► Installation



- For in-swing door, install the lock body inside and then need to install the ZL bracket at the same time.
- Discharge the mounting plate from lock body.
- Fix the L bracket on the door frame and then fix the lock body on the L bracket .
- Assemble the Z bracket and then fix it on the door frame
- Fix the armature plate on the Z bracket

