

# AX-M320

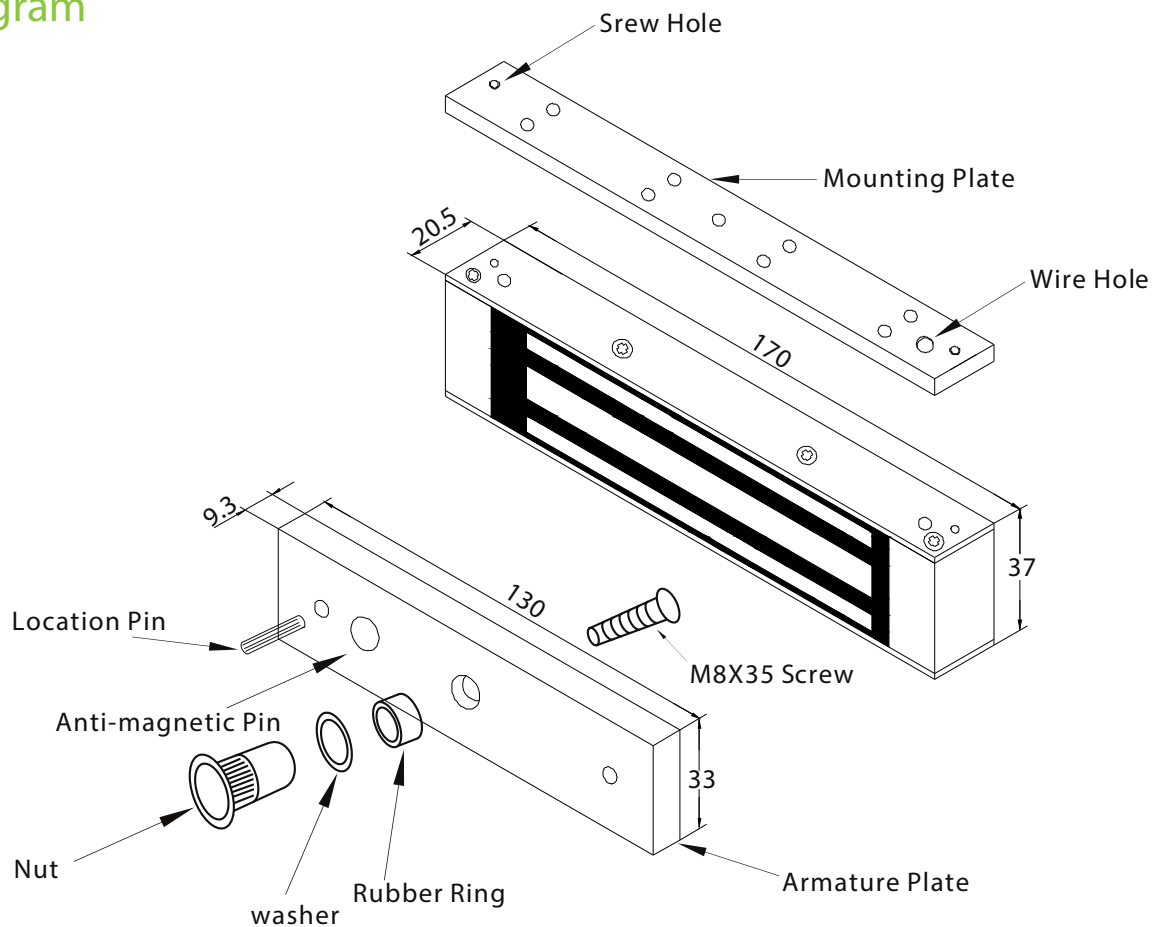
Single Door Magnetic Lock



## ► Specification

Model	Size(unit:mm)	Voltage	Current	Holding Force	Signal Output	Door
AX-M320	170Lx41.4Wx20.5H	12/24VDC	12V/300mA 24V/150mA	180kg(350Lbs)	No	Single Door

## ► Diagram



## ► Cautions:

- A. The screw of armature plate should not be fixed too tight. Proper elasticity should be guaranteed for the rubber ring so that the armature plate can adjust itself to the appropriate position.
- B. Check the jumpers position before connecting. Figure out it represents 12VDC or 24VDC.